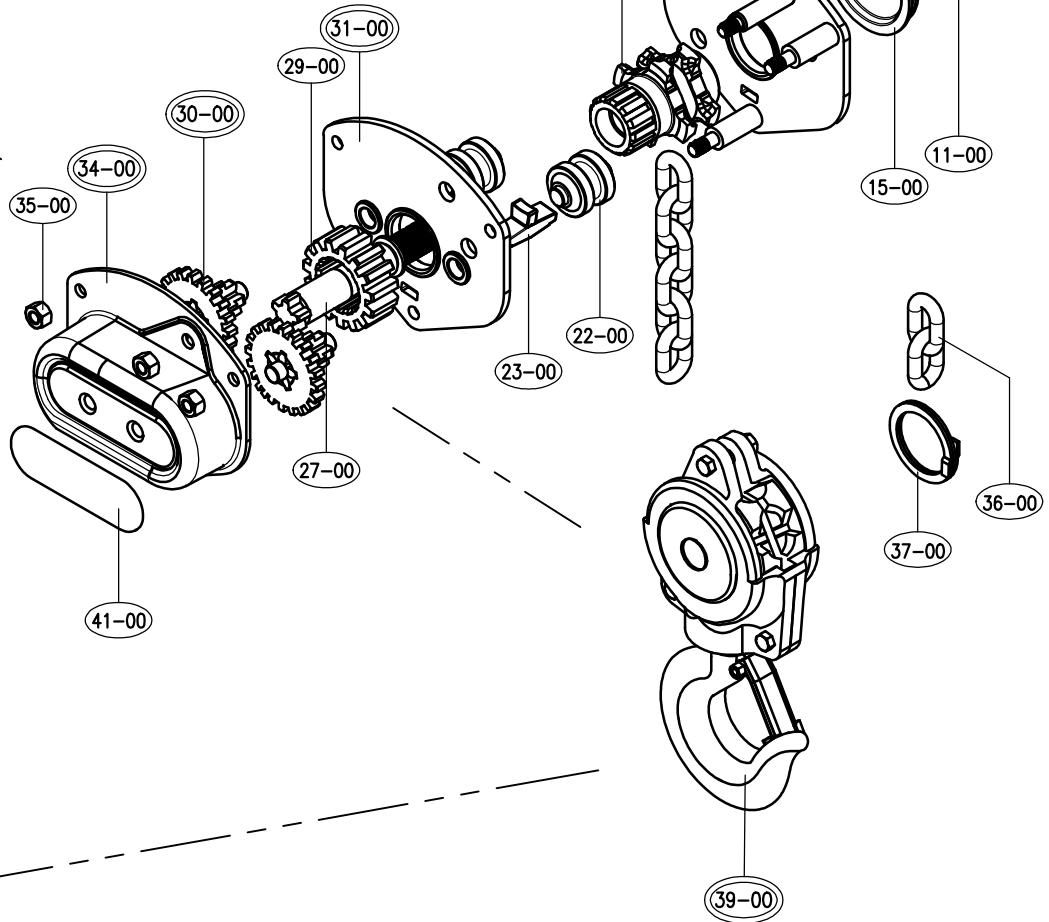
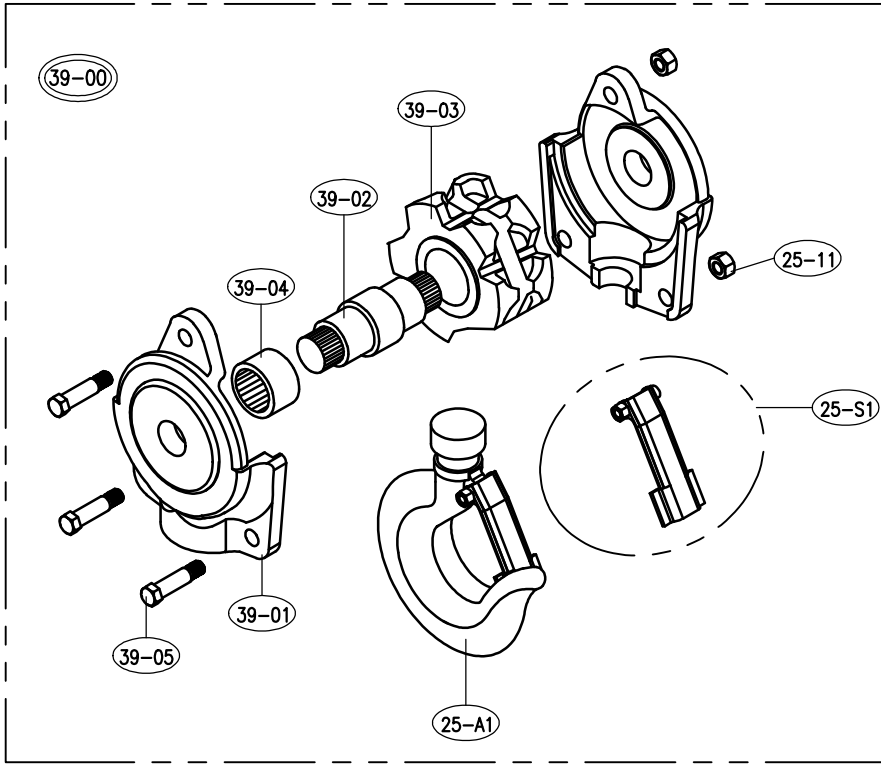
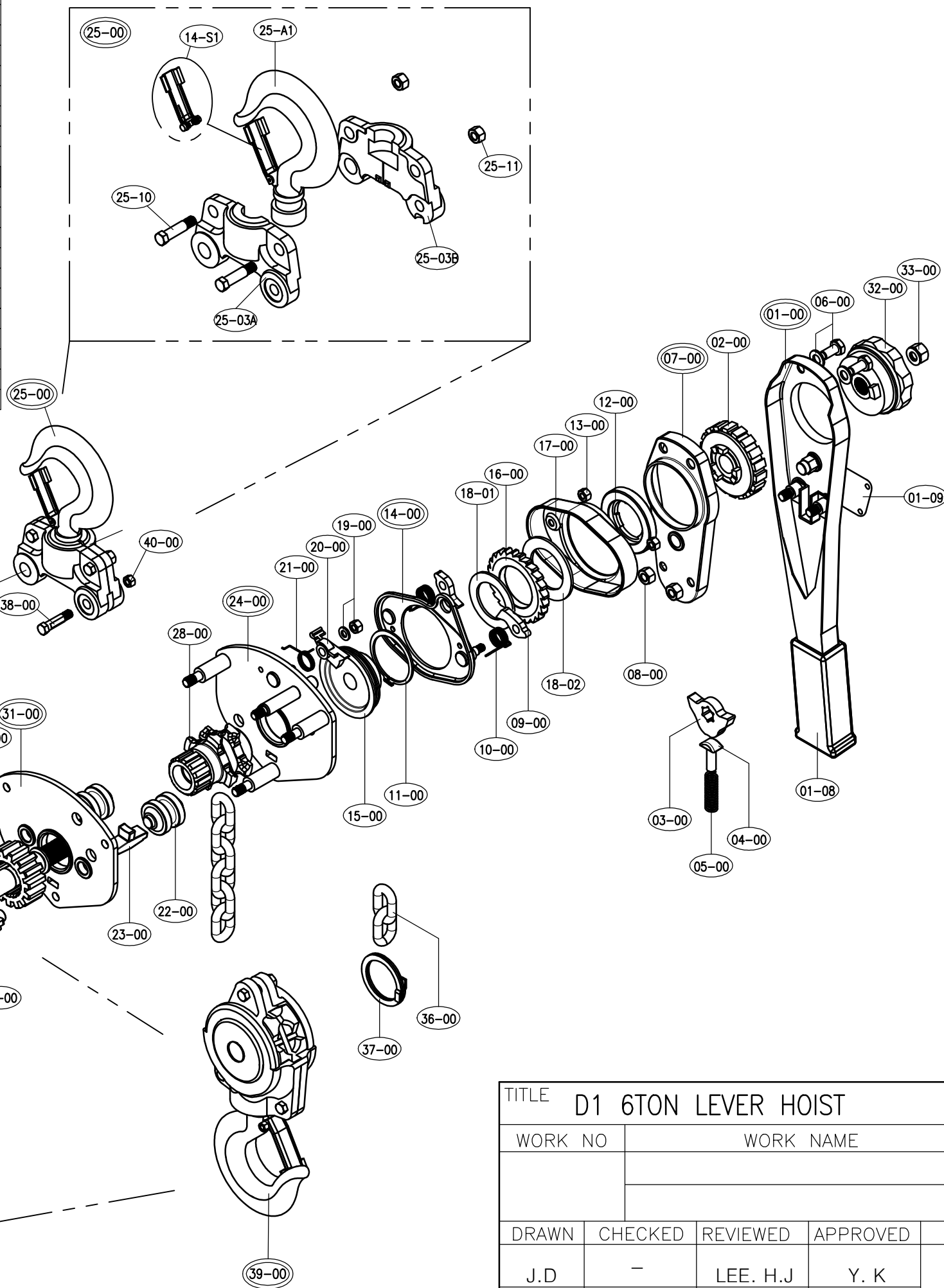


| NO | DESCRIPTION | Q'TY | REMARKS | NO | DESCRIPTION | Q'TY | REMARKS |
|--------|---------------------|------|-------------|-------|---------------------------|------|-----------|
| 01-00 | LEVER ASS'Y | 1 | | 27-00 | PINION SHAFT | 1 | |
| 01-08 | RUBBER GRIP | 1 | | 28-00 | LOAD SHEAVE | 1 | |
| 01-09 | NAME PLATE | 1 | | 29-00 | 1ST GEAR | 1 | |
| 02-00 | CHANGE GEAR | 1 | | 30-00 | 2ND GEAR & 3RD GEAR ASS'Y | 2 | |
| 03-00 | CHANGE PAWL | 1 | | 31-00 | SIDE PLATE 2 ASS'Y | 1 | |
| 04-00 | PUSH PIN | 1 | | 32-00 | GRIP RING | 1 | |
| 05-00 | PUSH SPRING | 1 | | 33-00 | PINION NUT | 1 | |
| 06-00 | BOLT S/W | 2 | M6x15 | 34-00 | GEAR COVER ASS'Y | 1 | |
| 07-00 | LEVER COVER ASS'Y | 1 | | 35-00 | U-NUT | 3 | M10 |
| 08-00 | U-NUT | 2 | M8 | 36-00 | LOAD CHAIN | 1 | Ø9.0x27.0 |
| 09-00 | PAWL | 2 | | 37-00 | END RING | 1 | |
| 10-00 | PAWL SPRING | 2 | | 38-00 | HOOK BOLT | 1 | |
| 11-00 | SNAP RING | 1 | S-70 | 39-00 | BOTTOM HOOK ASS'Y | 1 | |
| 12-00 | BRAKE WASHER | 1 | | 39-01 | BOTTOM FRAME | 2 | |
| 13-00 | U-NUT | 2 | M8 | 39-02 | AXLE | 1 | |
| 14-00 | REVERSE PLATE ASS'Y | 1 | | 39-03 | SHEAVE | 1 | |
| 15-00 | HUB | 1 | | 39-04 | NEEDLE BEARING | 2 | |
| 16-00 | RATCHET GEAR | 1 | | 39-05 | HEX BOLT | 3 | M10x35 |
| 17-00 | BRAKE COVER | 1 | | 40-00 | U-NUT | 1 | M10 |
| 18-01 | DISC A | 1 | Ø66xØ46x2.5 | 41-00 | COVER PLATE | 1 | |
| 18-02 | DISC B | 1 | Ø75xØ46x2.5 | | | | |
| 19-00 | U-NUT P/W | 1 | M8 | | | | |
| 20-00 | LOCK LEVER | 1 | | | | | |
| 21-00 | LOCK LEVER SPRING | 1 | | | | | |
| 22-00 | GUIDE | 2 | | | | | |
| 23-00 | STRIPPER | 1 | | | | | |
| 24-00 | SIDE PLATE 1 ASS'Y | 1 | | | | | |
| 25-00 | TOP HOOK ASS'Y | 1 | | | | | |
| 25-A1 | HOOK ASS'Y | 2 | | | | | |
| 25-S1 | SAFETY LATCH SET | 2 | | | | | |
| 25-03A | TOP FRAME A | 1 | | | | | |
| 25-03B | TOP FRAME B | 1 | | | | | |
| 25-10 | HEX BOLT | 2 | M10x30 | | | | |
| 25-11 | HEX NUT | 5 | M10 | | | | |



| | | | | | |
|---------------------------|---------|------------|------------|------------|------|
| TITLE D1 6TON LEVER HOIST | | | | PROJECTION | |
| WORK NO | | WORK NAME | | | |
| | | | | SCALE | Q'TY |
| | | | | N S | 1 |
| DRAWN | CHECKED | REVIEWED | APPROVED | DRAWING NO | |
| J.D | - | LEE. H.J | Y. K | D01060WE01 | |
| 2019.11.11 | - | 2019.11.11 | 2019.11.11 | | |

| REV.NO | DATE | REVISION DESCRIPTION | DRAWN | CHECKED | APPROVED |
|--------|------|----------------------|-------|---------|----------|
| | | | | | |

DAESAN INoTEC INC