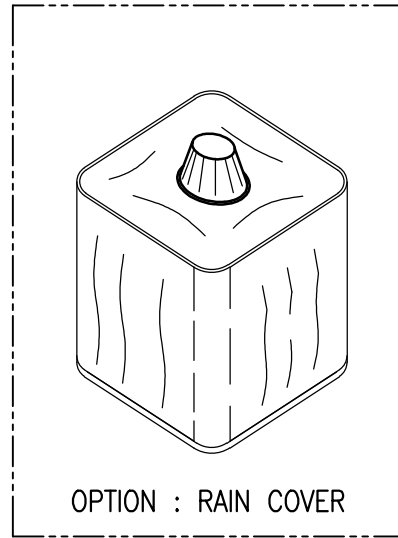
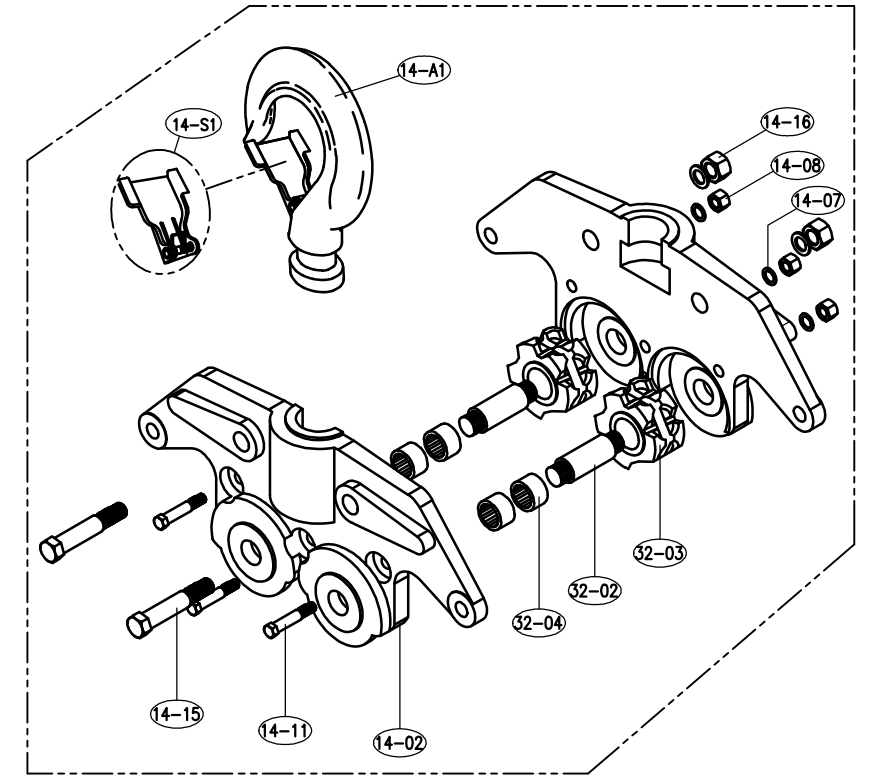
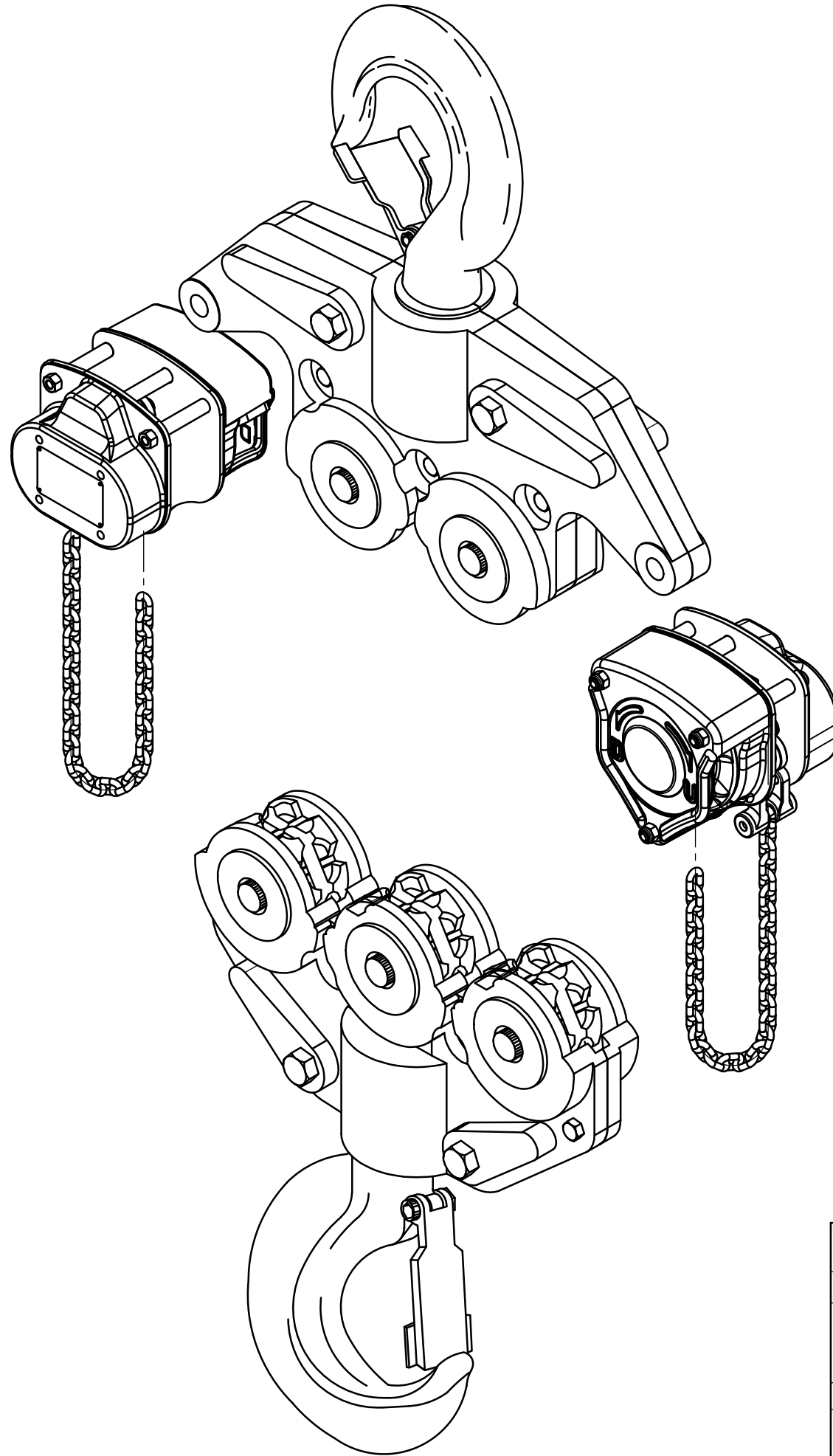


OPTION : CHAIN BOX

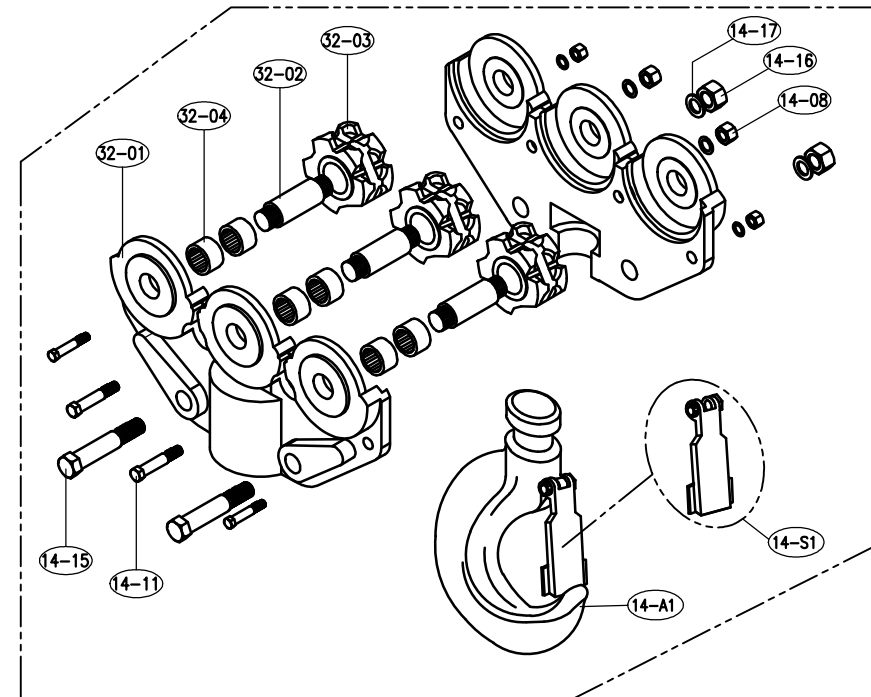


OPTION : RAIN COVER



14-00 TOP HOOK ASSEMBLY

NO	DESCRIPTION	Q'TY	REMARKS
14-00	TOP HOOK ASS'Y	1	
14-A1	HOOK ASS'Y	1	
14-S1	SAFETY LATCH SET	1	
14-02	TOP FRAME	2	
14-08	HEX NUT S/W	3	M12
14-11	HEX BOLT A	3	M12x45
14-15	HEX BOLT B	2	M20x90
14-16	HEX NUT	2	M20
14-17	SPRING WASHER	2	M20
32-02	AXLE	2	
32-03	SHEAVE	2	
32-04	NEEDLE BEARING	4	HK3020



32-00 BOTTOM HOOK ASSEMBLY

NO	DESCRIPTION	Q'TY	REMARKS
32-00	BOTTOM HOOK ASS'Y	1	
14-A1	HOOK ASS'Y	1	
14-S1	SAFETY LATCH SET	1	
32-01	BOTTOM FRAME	2	
32-02	AXLE	3	
32-03	SHEAVE	3	
32-04	NEEDLE BEARING	6	HK3020
14-08	HEX NUT S/W	4	M12
14-11	HEX BOLT A	4	M12x45
14-15	HEX BOLT B	2	M20x90
14-16	HEX NUT	2	M20
14-17	SPRING WASHER	2	M20

TITLE DSN 15T CHAIN BLOCK				PROJECTION	
WORK NO		WORK NAME			
				SCALE	Q'TY
				N S	1
DRAWN	CHECKED	REVIEWED	APPROVED	DRAWING NO	
J.D	-	LEE. H.J	Y. K	DSN1500E01	
2020.01.15	-	2020.01.15	2020.01.15		
DAESAN INoTEC INC					

REV.NO	DATE	REVISION DESCRIPTION	DRAWN	CHECKED	APPROVED