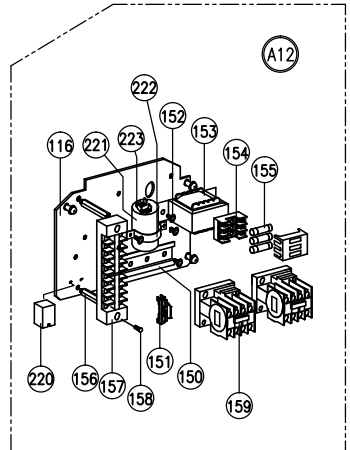
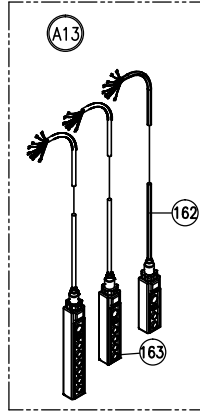
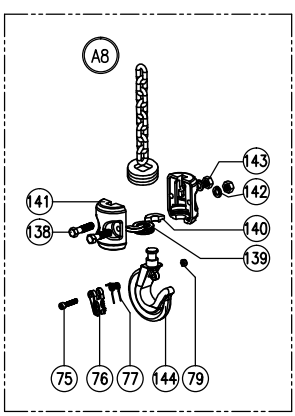
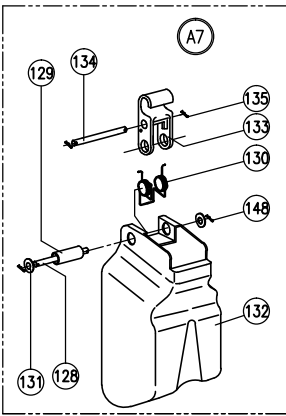
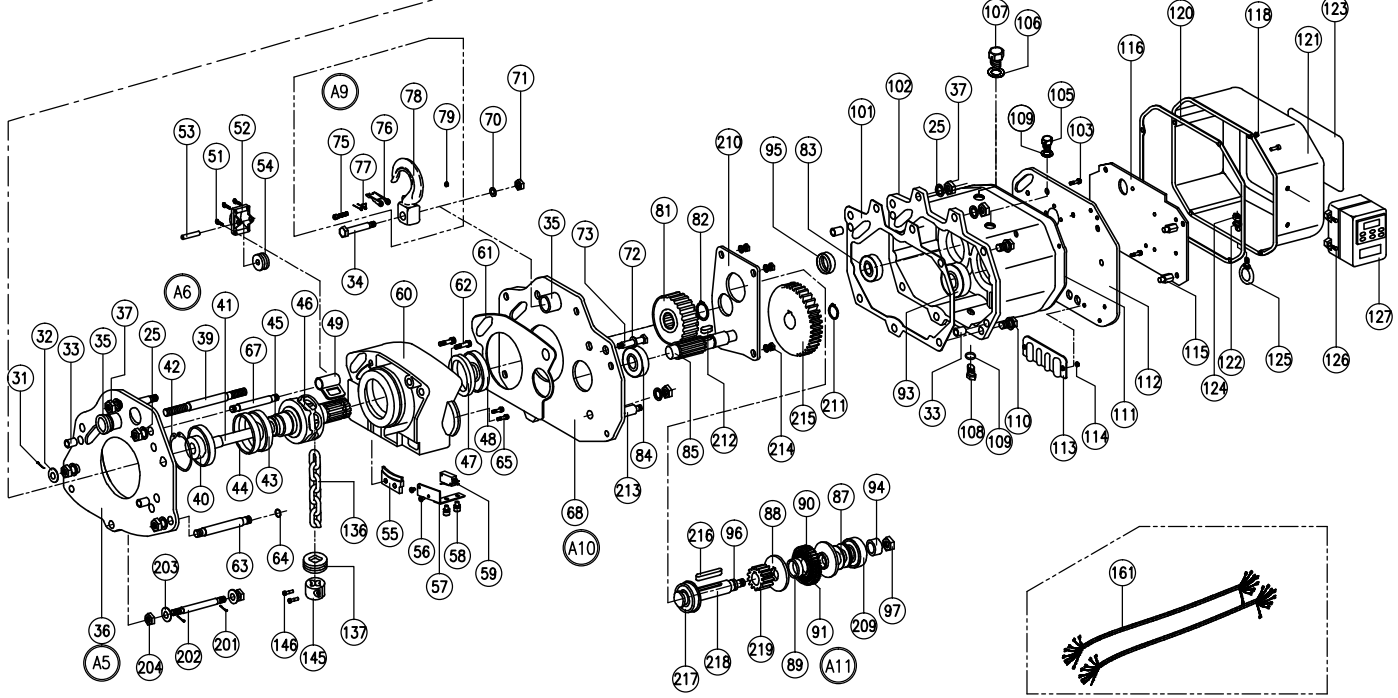
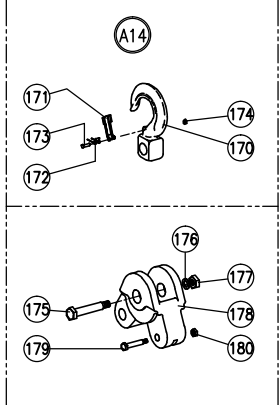
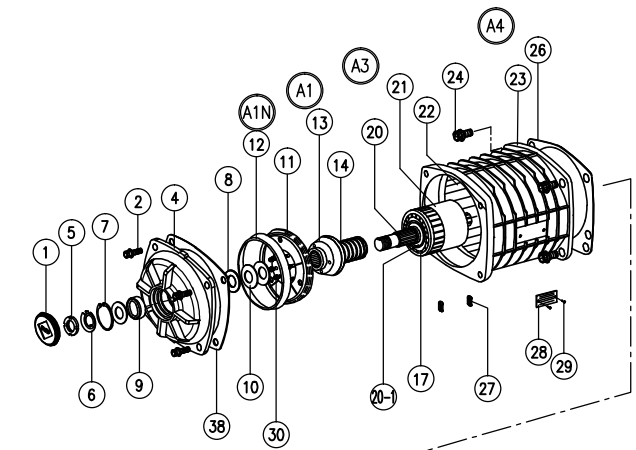


DSS 1S,2W CHAIN HOIST

ASS'Y NO	ASSEMBLED PARTS	ASS'Y NO	ASSEMBLED PARTS	ASS'Y NO	ASSEMBLED PARTS
A1	A1N, 13, 30.	A8	75, 76, 77, 79, 138, 139, 140, 141, 142,	A13	162, 163.
A1N	11, 12.		143, 144.	A14	170, 171, 172, 173, 174.
A3	17, 20, 21, 20-1.	A9	75, 76, 77, 78, 79.	A15	171, 172, 173, 174, 181, 182, 183, 184,
A4	22, 23, 27, 28, 29.	A10	35, 68, 213.		185, 186, 187, 189, 190, 191, 192, 193, 194
A5	35, 36.	A11	90, 91.		
A6	40, 41.	A12	116, 150, 151, 152, 153, 154, 155, 156,		
A7	128, 129, 130, 131, 132, 133, 134, 135, 148.		157, 158, 159, 220, 221, 222, 223.		



DSS-1S, 2W PART LIST

NO	CODE NO	DESCRIPTION	Q'TY	REMARK	NO	CODE NO	DESCRIPTION	Q'TY	REMARK
1	DST010S704	PACKING CAP	1		58	DSPM061500	MACHIN SCREW S/W	2	M6x15
2	DSPW082500	WRENCH BOLT S/W	4	M8x25	59	DST010S411	LIMIT SWITCH	1	
4	DST010S702	BRAKE COVER	1		60	DST010S400	CHAIN GUIDE	1	
5	DSPLAN0400	LOCK NUT	1	AN04	61	DST010S404	PACKING CHAIN GUIDE	1	
6	DSPLAW0400	LOCK WASHER	1	AW04	62	DSPW084500	WRENCH BOLT S/W	2	M8x45
7	DSPSR47000	SNAP RING	1	R47	63	DST010S123	STAY BOLT A	1	
8	DSPP213303	PLAIN WASHER	2	21 33 4	64	DSPOP10000	ORING	1	P10
9	DSPB6204DD	BALL BEARING	1	6204DD	65	DSPW052500	WRENCH BOLT S/W	2	M5x25
10	DST010S703	CLUTCH SPRING	2		67	DST010S124	STAY BOLT B	2	
11	DST010S708	BRAKE DISC	1		68	DST010S300	GEAR SIDE PLATE	1	
12	DST010S707	LINING	1		70	DSPS120000	SPRING WASHER	1	M12
13	DST010S700	MOVING CORE	1		71	DSPU120000	U-NUT	1	M12
14	DST010S705	BRAKE SPRING	1		72	DST010S215	PACKING STOPPER BOLT	1	
17	DST010S505	MAGNETIC CORE	1		73	DST010S301	STOPPER BOLT	1	
20	DST010S500	ROTOR SHAFT	1		75	DSPW063000	HEX WRENCH BOLT	2	M6x30
20-1	DST010S201	PLAIN WASHER	1		76	DST010S15G	SAFTY LATCH	2	
21	DST010S501	ROTOR	1		77	DST010S15H	SAFTY LATCH SPRING	2	
22	DST010S602	STATOR	1		78	DST010S01A	TOP HOOK	1	
23	DST010S600	MOTOR CASE	1		79	DSPU060000	U-NUT	2	M6
24	DSPW102000	WRENCH BOLT S/W	4	M10x20	81	DST010S305	4th GEAR	1	
25	DSPS100000	SPRING WASHER	9	M10	82	DSPSS40000	SNAP RING	1	S40
26	DST010S601	PACKING MOTOR CASE	1		83	DSPB6301ZZ	BALL BEARING	1	6301ZZ
27	DSPSP08120	SPRING PIN	2	ø8x12	84	DSPB6204ZZ	BALL BEARING	1	6204ZZ
28	DST010S027	MOTOR NAME PLATE	1		85	DSS010S203	5TH GEAR	1	
29	DSPRI03100	RIVET	2	ø3x10	87	DSS010S207	CLUTCH SPRING	3	
30	DSPW061500	WRENCH BOLT S/W	6	M6x15	88	DSS010S204	CLUTCH DISC	2	
31	DSPCR10000	R PIN	2	10 $\bar{\text{c}}$	89	DSS010S206	GUIDE COLLAR	1	
32	DSPPO80000	PLAIN WASHER	2	M8	90	DSS010S202	CLUTCH LINING	2	
33	DSPSP10120	SPRING PIN	4	ø10x12	91	DSS010S201	2nd GEAR	1	
34	DST010S302	TOP HOOK PIN	1		93	DSPB6203ZZ	BALL BEARING	1	6203ZZ
35	DST010S121	SUPPORT BOSS	2		94	DSS010S205	COLLAR A	1	
36	DST010S120	MOTOR SIDE PLATE	1		95	DSP0203206	OIL SEAL	1	20x32x6
37	DSPN100000	HEX NUT	9	M10	96	DSPOP12500	ORING	1	P9
38	DST010S038	PACKING BRAKE COVER	1		97	DSPU120000	U-NUT	1	M12
39	DST010S904	CHAIN BOX STAY BOLT	1		101	DSS010S211	PACKING GEAR CASE	1	
40	DST010S101	1st GEAR JOINT	1		102	DSS010S210	GEAR CASE	1	
41	DST010S100	1st GEAR	1		103	DSPW061801	HEX WRENCH BOLT S/W	4	M6x18
42	DSPSR80000	SNAP RING	1	R80	105	DSPH101500	AIR HOLE BOLT	1	M10x15
43	DSPB6208ZZ	BALL BEARING	2	6208ZZ	106	DST010S214	PACKING OIL PLUG	1	
44	DST010S128	CHAIN GUIDE COLLAR	1		107	DST010S212	OIL PLUG	1	
45	DSP0213208	OIL SEAL	1	21 32 8	108	DSPH101500	HEX BOLT	2	M10x15
46	DST010S403	LOAD SHEAVE	1		109	DSP0257500	ORING	2	ø2.5x7.5
47	DSP0456812	OIL SEAL	1	45 68 12	110	DSPH102000	HEX BOLT S/W	5	M10x20
48	DSPB6008ZZ	BALL BEARING	1	6008ZZ	111	DST010S111	PACKING BOARD	1	
49	DSA010S207	HANGER HOLDING METAL	1		112	DST010S110	COMPONENT BOARD	1	
51	DSPW062000	HEX WRENCH BOLT S/W	4	M6x20	113	DST010S014	CORD HOLDER ASS'Y	1	
52	DST010S408	ROLLER COVER	1		114	DSPN050000	HEX NUT	2	M5
53	DST010S409	ROLLER PIN	1		115	DST010S674	HEX STAY PIN(S)	4	
54	DST010S407	ROLLER	1		116	DST010S112	ELECTRIC EQUIPMENT BOARD	1	
55	DST010S420	STRIPPER	1		118	DSPM061200	MACHIN SCREW S/W	8	M6x12
56	DSPTS04100	TAP SCREW	2	M4x10	120	DST010S801	PACKING COMPONENT CASE	1	
57	DST010S410	M/S BRACKET	1		121	DST010S802	ELECTRIC COMPONENT CASE	1	

DSS-1S, 2W PART LIST

NO	CODE NO	DESCRIPTION	Q'TY	REMARK	NO	CODE NO	DESCRIPTION	Q'TY	REMARK
122	DSPS080000	SPRING WASHER	1	M8	183	DSA020W15R	IDLE SHEAVE	1	
123	DST010S123	NAME PLATE	1		184	DSA020W15I	IDLE SHEAVE COLLAR	1	
124	DSPN080000	NUT	1	M8	185	DSPCP35530	COTTER PIN	2	φ4x40
125	DSPE080000	EYE BOLT	1	M8	186	DSA020W15D	IDLE SHAVE PIN	1	
126	DSPM051200	MACHIN SCREW S/W	1	M5x12	187	DSPH087600	HEX BOLT	1	M8x70
127	DST010S127	LOAD LIMITER	1		189	DSPU080000	U NUT	1	M8
128	DST010S128	CHAIN BOX HANGER PIN	1		190	DSA020W15B	BOTTOM HOOK COVER	1	
129	DST010S129	STAY PIPE	2		191	DSPT512050	THRUST BEARING	1	51205
130	DST010S130	RETURN SPRING	1		192	DSA020W15F	BOTTOM HOOK NUT	1	M20
131	DSPP120000	PLAIN WASHER	1	M12	193	DSPSP04300	SPRING PIN	1	φ4x30
132	DST010S021	CHIAN BOX	1		194	DSA020W15A	BOTTOM HOOK	1	
133	DST010S133	CHAIN BOX HANGER	1		201	DSPCR10000	R PIN	2	10 <sup>㉔</sup>
134	DST010S134	CHAIN BOX HANGER PIN	1		202	DSA010S842	CHAIN BOX SUPPORT PIN	1	
135	DSPCR10000	R PIN	2	10 <sup>㉔</sup>	203	DSPPO80000	PLAIN WASHER	2	M8
136	DST010S800	LOAD CHAIN	1		204	DSPN080000	HEX NUT	2	M8
137	DST010S013	BUMPER ASS'Y	2		209	DSPB6202ZZ	BALL BEARING	1	6202ZZ
138	DSPH083500	HEX BOLT	2	M8x35	210	DSS010S210	CENTER PLATE	1	
139	DSPT511040	THRUST BEARING	1	51104	211	DSPSS25000	SNAP RING	1	S25
140	DST010S15C	SPLIT RING	2		212	DSPK071500	KEY	1	7x7x15
141	DST010S901	BOTTOM HOOK COVER	2		213	DSS010S213	STAY BOLT	4	
142	DSPS080000	SPRING WASHER	2	M8	214	DSPN060000	U NUT	4	M6
143	DSPN080000	HEX NUT	2	M8	215	DSS010S215	4TH GEAR	1	
144	DST010S15A	BOTTOM HOOK	2		216	DSPK053700	KEY	1	5x5x37
145	DST010S20A	CHAIN STOPPER	2		217	DSPB6202ZN	BALL BEARING	1	6202ZN
146	DSPW062500	WRENCH BOLT	2	M6X25	218	DSS010S218	CLUTCH SHAFT	1	
148	DSPCR12000	R PIN	2	12 <sup>㉔</sup>	219	DSS010S219	3RD GEAR	1	
150	DST010S150	CHANNEL	1		220	DSS010S220	START SWITCH	1	
151	DST010S151	CHANNEL STOPPER	1		221	DSS010S221	CONDENSER(+R)	1	
152	DSPM040800	MACHINE SCREW S/W P/W	4	M4x8	222	DSS010S222	SADDLE	1	
153	DSPTR40VA0	TRANSFORMER	1		223	DSM010S229	RECHARGE RESISTOR	1	
154	DSPFH3P000	FUSE HOLDER	1						
155	DSPF01A000	FUSE	3						
156	DSA010S749	HEX STAY PIN(L)	2					1	
157	DSTTB10P00	TERMINAL BLOCK	1						ASSEMBLY(DST&EDST)
158	DSPM041200	MACHINE SCREW S/W	2		A1	DST010S007	BRAKE ASS'Y	1	
159	DSPMA10000	MAGNETIC CONTACTOR	2		A1N	DST010SA1N	BRAKE DISC ASS'Y	1	
161	DST010S591	POWER CABLE ASS'Y	1		A3	DST010S005	ROTOR ASS'Y	1	
162	DST010S701	PUSH BUTTON CABLE	1		A4	DSS010S006	MOTOR ASS'Y	1	
163	DSPPB3P000	PUSH BUTTON	1		A4S	DSS010SA4S	STATOR ASS'Y	1	
170	DSA020W01A	TOP HOOK	1		A5	DST010S002	MOTOR SIDE PLATE ASS'Y	1	
171	DSA020W15E	SAFTY LATCH	2		A6	DSS010S001	1st GAER ASS'Y	1	
172	DSA020W15K	SAFTY LATCH SPRING	2		A7	DST010S012	CHAIN BOX ASS'Y	1	
173	DSP0430000	HEX WRENCH BOLT	2	M4x30	A8	DST010S010	BOTTOM HOOK ASS'Y	1	
174	DSPU040000	U-NUT	2	M4	A9	DST010S009	TOP HOOK ASS'Y	1	
175	DSA020W01C	CONNECTING BOLT	1		A10	DSS010S003	GEAR SIDE PLATE ASS'Y	1	
176	DSPP200000	PLAIN WASHER	1	M20	A11	DSS010S200	2nd GEAR ASS'Y	1	
177	DSPU200000	U-NUT	1	M20	A12	DSS010S011	ELECTRIC ASS'Y(DSS)	1	
178	DST020W01B	ARM	1		A13	DST010S003	PUSH BUTTON ASS'Y	1	
179	DSA020W01F	HEX BOLT	1	M8x42x17	A14	DST020W009	TOP HOOK ASS'Y - 2W	1	
180	DSPU080000	U-NUT	1	M8	A15	DST020W010	BOTTOM HOOK ASS'Y - 2W	1	
181	DST020W15C	BOTTOM HOOK CHAIN GUIDE	1						
182	DSPNF20400	ROLLER BEARING	2	NF204					