

# INNOVATION

## Traversing Limiter or Drop Stop & Rubber Bumper(Option)

Trolley traversing limiter or Drop stop & Rubber bumper is available as an option.

Traversing Limiter



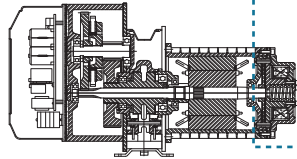
### Upper and Lower Limit Switch

Prevent overwinding by stopping operation in the case of overlifting or overlowering.



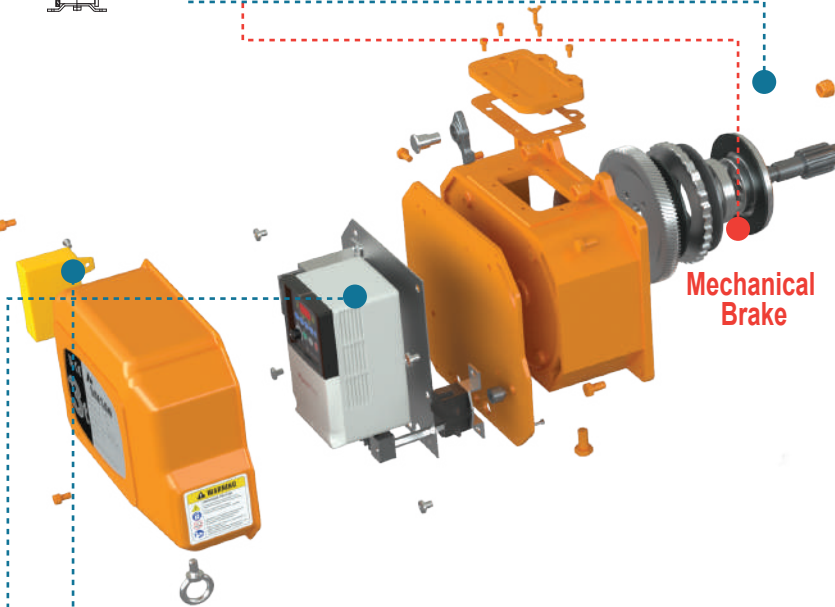
### Gear Box / Oil Lubrication

The gearbox utilizes an alloy steel helical and spur gear reduction. Gear inspection and lubrication is easily accessible from the top of the hoist.



### Dual Brake System(Mechanical Brake+Electric Brake)

Secured with dual braking system, disc type motor brake working with mechanical load brake provides load lowering control. Electric brake is designed for easy access and simple adjustment.



Mechanical Brake



### Overload Alert(Option)

Installed as load detecting safety device to help prevent overload for greater hoist longevity.

### Hooks

Load hook is forged carbon steel hook with a heavy-duty hook latch. Thrust bearing in hook allows 360° rotation to prevent twisting of load chain. Top Hook, for hook suspended hoists is rigid.

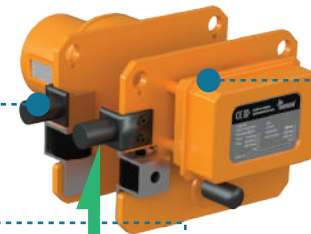
### Inverter(Option)

Adjustable dual lifting speed as well as dual traversing speed by variable frequency drive is available with EDSA/EDSM series from 1ton to 20ton. It is perfect type where precise and accurate lifting solution is required. Very silent and smooth lifting operation with great durability replaces conventional pole change type dual speed hoist. Speed setting can be adjusted upon customer request / 3 step lifting speed is optional.



### Weather Cover (Option)

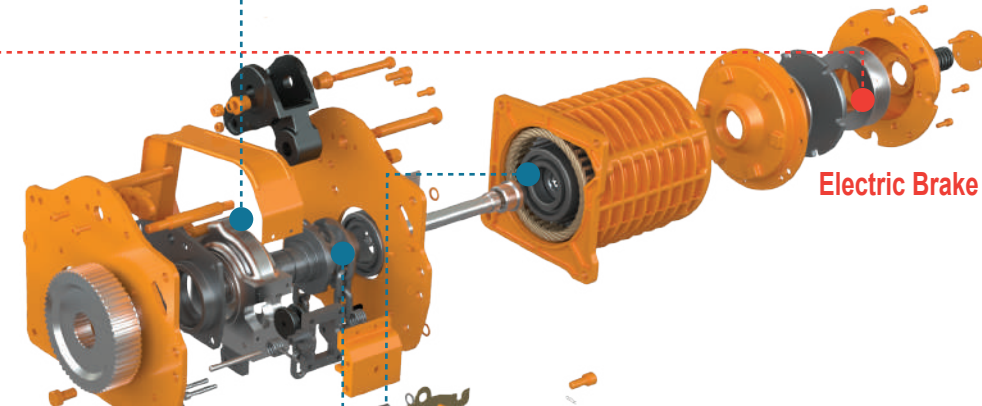
Hoist weather cover is a practical product that increases the longevity of your hoists perfect for seasonal and permanent installations. Protect hoist in outdoor use.



### Motorized Trolley

Trolley is adjustable for a range of flange widths. Motor includes disc type brake. Side guide rollers are included to promote smooth trolley motion and to minimize wheel and beam wear. Wheels are dual tread design for operation on tapered or flat flange beams. Trolley motor includes class F insulation. Motor is rated 15 minute duty and includes standard thermal motor protection.

Drop Stop & Rubber bumper



Electric Brake

### Load Sheave / Chain Guide

Full floating chain guide assures proper engagement of chain on load sheave. Features 4 or 5 pockets for better distribution of the load.

### Heavy-Duty Hoist Motor

The hoist motor is high torque design and is rated 30-minute duty. Class F motor insulation and standard thermal motor protection is included.

### Load Chain

G80 load chain is case hardened and has a high resistance to wear and corrosion. Longer lifts are available per requirement. Breaking load limit with more than 5 times of rated load.

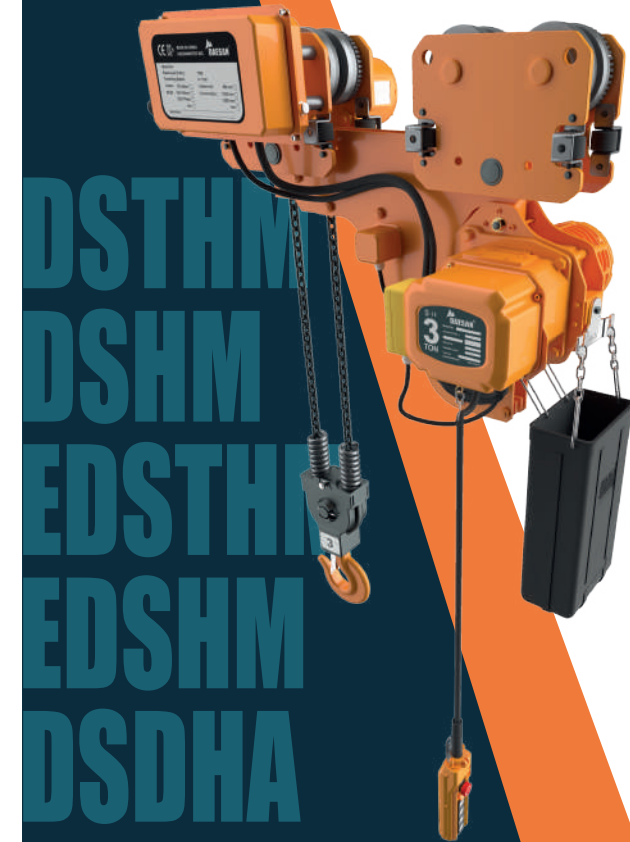
### Chain Container

Chain container is standard equipment and is either molded with thick polypropylene material or fabricated from steel to securely contain the chain and chain lubricant. Optional containers are available for long lift applications.



### Push Button Control

Compact design to enable one-handed operation. Rated IP64 protection. Emergency stop button is included. Push button cable has strain relief to prevent cable damage.



EDSA  
EDSM  
EDSA  
EDSM

DSTHM  
DSHM  
EDSTH  
EDSHM  
DSDHA  
DSDHM