

TROLLEY

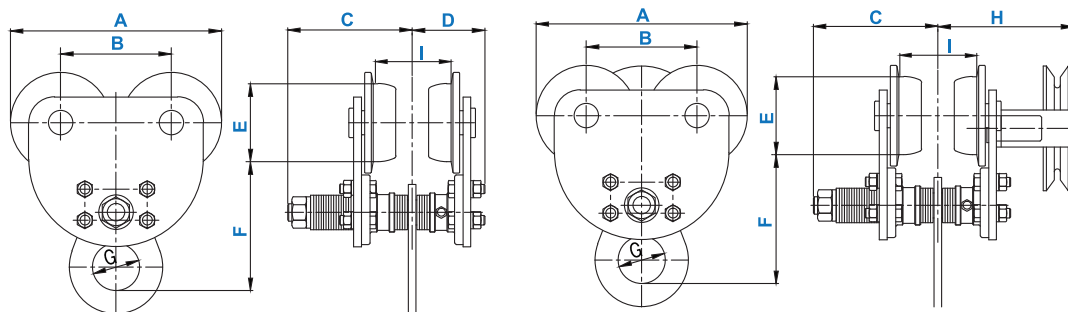
DAESAN plain and geared trolleys are light and easy to adapt to a wide range of beams. The trolley wheels include lifetime ball bearings for maintenance free operation.

Bearings : Shielded, lifetime lubricated, single row ballbearings.

Wheels : Crown tread allows operation on tapered or flat flange beams with increased durability.

Suspension Lug : Pivot mounted suspension shaft designed to equally distribute the load to all wheels.

Hand Chain Box : Equipped from 20ton or above capacity gear trolley for better protection.

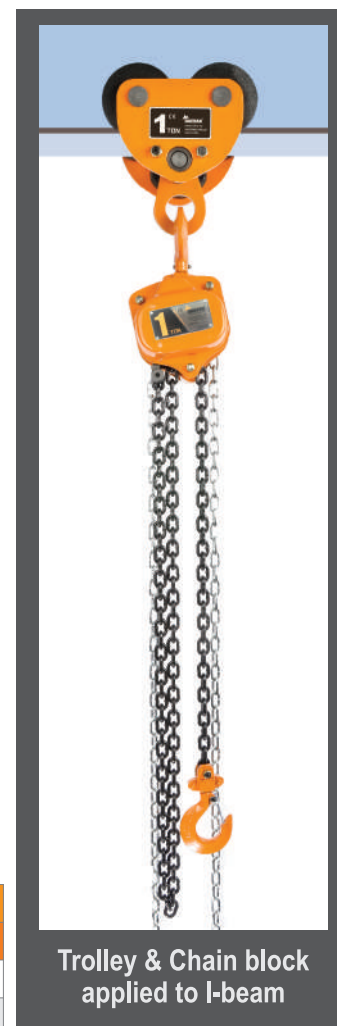


DP,DG TYPE

| MODEL NO : | DP(Plain trolley) | DP05 | DP1 | DP2 | DP3 | DP5 | DP10 | N/A | N/A | N/A | N/A |
|------------------------------------|-------------------|--------|--------|---------|---------|---------|---------|---------|---------|---------|---------|
| | DG(Geard trolley) | N/A | DG1 | DG2 | DG3 | DG5 | DG10 | DG15 | DG20 | DG30 | DG40 |
| Capacity (ton) | | 0.5 | 1 | 2 | 3 | 5 | 10 | 15 | 20 | 30 | 40 |
| Hand chain operation length (m) | | N/A | 2.5 | 3 | 3 | 3 | 3.5 | 3.5 | 3.5 | 3.5 | 3.5 |
| Min curve radius (mm) | | 1000 | 1300 | 1500 | 2000 | 2500 | 2600 | 3000 | N/A | N/A | N/A |
| A (Dimension) (mm) | | 174 | 233 | 271 | 312 | 352 | 352 | 505 | 1131 | 1312 | 1312 |
| B | | 90 | 122 | 142 | 163 | 183 | 183 | 255 | 712 | 776 | 776 |
| C | | 142.5 | 142.5 | 160 | 168.5 | 184.5 | 249 | 211 | 291.5 | 302 | 302 |
| D | | 76 | 76 | 93 | 100.5 | 115 | 126 | N/A | N/A | N/A | N/A |
| E | | 55 | 80 | 100 | 113 | 125 | 125 | 254 | 150 | 154 | 154 |
| F | | 1295 | 128 | 165 | 190 | 230 | 253.5 | 337.5 | 434 | 457.5 | 457.5 |
| G | | 45 | 45 | 60 | 67 | 77 | 70 | 80 | 122 | 122 | 122 |
| H | | N/A | 164 | 176 | 183 | 198.5 | 199.5 | 283 | 291.5 | 302 | 302 |
| I | | 75-125 | 75-125 | 100-150 | 100-150 | 125-175 | 125-200 | 175-200 | 175-200 | 175-200 | 175-200 |
| Net weight DP TYPE (Standard) (kg) | | 6 | 10 | 18.5 | 29 | 45 | 68 | N/A | N/A | N/A | N/A |
| Net weight DG TYPE (Standard) (kg) | | N/A | 14 | 23 | 35 | 50 | 78 | 210 | 320 | 450 | 500 |

*(I : applied I-beam width)

*C,D,H figures are for minimum beam width. Figures will be changed accordingly when applied beam width increases.



PLAIN TROLLEY(DP)



GEARED TROLLEY(DG)

