



제 2010 - 64495-1 호

안 전 인 증 서

(사업장명)

(주)대산이노텍

(소재지)

(314-821)충남 공주시 정안면 사현리 523

위 사업장에서 제조하는 아래의 품목이 산업안전보건법 제34조 및 같은 법 시행규칙 제58조의4제4항에 따른 안전인증 심사 결과 안전·보건기준에 적합하므로 안전인증표시의 사용을 인증합니다.

품 목

호이스트

형식,모델(용량,등급)/인증번호

DSM-2W (2Ton) /10-AQ2AC-06024

인 증 기 준

노동부 고시 제2010 - 12호 (위험기계,기구 의무안전인증 고시)

인 증 조 건

<사업장 소재지 변경으로 인한 재발급[최초 발행일 2010년 11월 10일]>

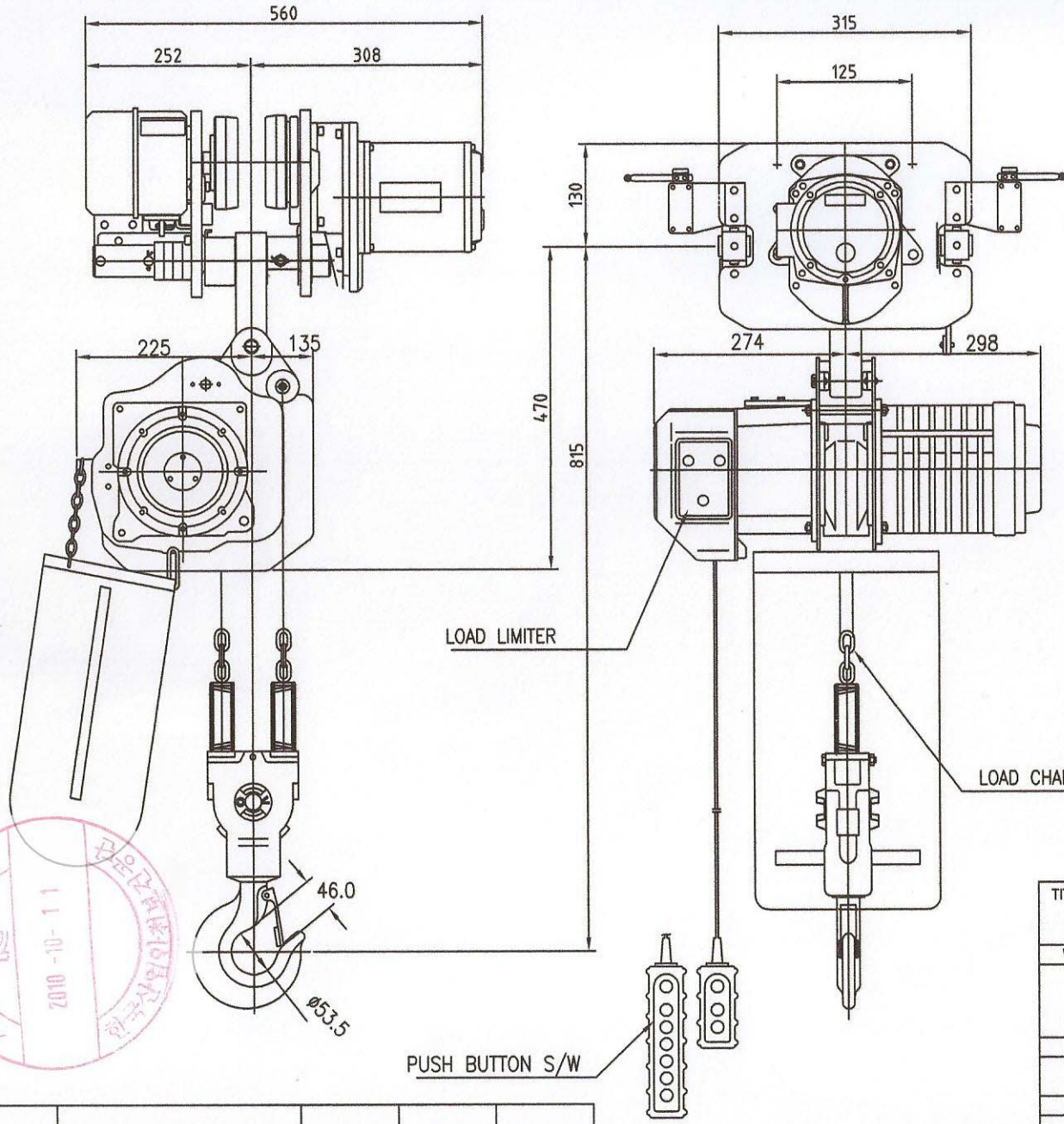
2012년 04월 18일

한국산업안전보건공단이사장



ON 9MG

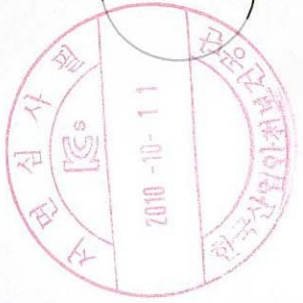
| NO | DESCRIPTION | SIZE | MAT' L | Q' TY | WT (kg) | REMARKS |
|----|-------------|------|--------|-------|---------|---------|
| | | | | | | |



| SPECIFICATION | | |
|----------------------------|---------------------------------------|----------------|
| HOISTING LOAD | 2 | TON |
| TESTING LOAD | 2.5 | TON |
| LIFTING HEIGHT | 50 | M |
| HOISTING | SPEED | 4.1/3.4 M/MIN |
| | MOTOR | 1.8 KW x 1 SET |
| TRAVERSING | SPEED | 15/12 M/MIN |
| | MOTOR | 0.4 KW x 1 SET |
| POWER SUPPLY | AC 220,380,440 V x 3 ϕ x 60/50Hz | |
| OPERATING METHOD | P.B type ON . FL | |
| WEIGHT | 260 KG | |
| LOAD CHAIN FALL | 2 | |
| I-BEAM 적용폭 | 100-150mm | |
| MIN.RADIUS OF CURVATURE(m) | 1500 | |

* 트로리 로라 외경 : $\phi 110$

LOAD CHAIN $\phi 7.1 \times 21.0$



| TITLE | | | | PROJECTION | |
|-----------------------------|-----------|----------|----------|------------|-------|
| DSM-2W ELECTRIC CHAIN HOIST | | | | | |
| WORK NO | WORK NAME | | | SCALE | Q' TY |
| | 외형도 | | | N S | 1 |
| DRAWN | CHECKED | REVIEWED | APPROVED | DRAWING NO | |
| y.j | won | | Y.K | DSM002W | |
| 05.11 | 05.11 | | 05.11 | | |

| REV.NO | DATE | REVISION | DESCRIPTION | DRAWN | CHECKED | APPROVED |
|--------|------|----------|-------------|-------|---------|----------|
| | | | | | | |

INOTEC IND. CO., LTD

제 2012-BJ-0009 호



안 전 인 증 서

정호엔지니어링

경기도 광명시 노동사동 440-5

위 사업장에서 제조하는 아래의 품목이 산업안전보건법 제34조 및 같은 법 시행규칙 제58조의4제4항에 따른 안전인증 심사 결과 안전·보건기준에 적합하므로 안전인증표시의 사용을 인증합니다.

품 목

양중기용 과부하방지장치

형식·모델/용량·등급/인증번호

| 형식·모델 | 용량·등급 | 인증번호 |
|---------|-------|---------------|
| JDL-100 | J-2 | 12-AV2BJ-0009 |

인 증 기 준

방호장치 의무안전인증 고시(고용노동부고시 제2010-36호)

인 증 조 건

아래 주소에서 생산되는 제품에 한함.
정호엔지니어링, 경기도 광명시 노동사동 440-5

2012년 06월 11일

한국산업안전보건공단 이사장



FEC CHAIN

CORPORATION

TEL:+81-53-425-4116 , 2162

337 KANAORI-CHO , HAMAMATSU CITY ,

SHIZUOKA PRE.435-0026 JAPAN

FAX:+81-53-425-5122

TEST CERTIFICATE

| | | |
|--|--|-------------------------------------|
| Distributor: | code #: 1080 | distributor's name: ASAO & CO., LTD |
| Coustermer: | | coustermer's name: |
| Article name: (Application) | Load chain for electric chain hoist | |
| Spec. standard | <input type="checkbox"/> DIN EN 818-7:2002 , <input type="checkbox"/> JIS B 8812:1999 <input type="checkbox"/> ISO 3077 , <input checked="" type="checkbox"/> FEC | |
| Material spec.: | SAE15B24(Mn-B steel) | |
| Finish: | <input checked="" type="checkbox"/> temper-colored, <input type="checkbox"/> zinc-plated, <input type="checkbox"/> coated() <input type="checkbox"/> zinc-phosphated, <input type="checkbox"/> manganese-phosphated <input checked="" type="checkbox"/> oiled, <input type="checkbox"/> o-oiled | |
| Stamping: | <input type="checkbox"/> FEC standard, <input checked="" type="checkbox"/> customer's request → DS, JAPAN , (Lot #), FEC# | |
| Product code#: description: quality type | FCD07121 φ7.1*P21 G80/ type-DAT | |
| Dimention: | | Result |
| Nominal diameter(dn) | [mm] | 7.1 +0.0/-0.3 |
| Internal width,min.: | [mm] | 8.8 |
| external width, max.: | [mm] | 23.6 |
| Nominal pitch 1 t | [mm] | 21.0 +0.3/-0.1 |
| 5 t | [mm] | - |
| 11 t | [mm] | 231.0 +0.3/-0.7 |
| Diameter at the weld(ds), max.: | [mm] | 7.6 |
| Mechanical properties: | | OK |
| Working load limit(WLL), max.: | [kg] | 1500 |
| (drive mechanism g | | - |
| Manufacturing proof force(MPF), min.: | [KN] | 40 |
| Stress at min. MPF | | - |
| Guranteed breaking force(BF), min.: | [KN] | 63 |
| Stress at min. BF | | - |
| Total ultimate elongation(A), min.: | [%] | 10 |
| Surface hardness/HV3, min.: | [-] | 500 |
| /HV5, min.: | [-] | - |
| Hardness /HRC, min.: | [-] | - |
| Case depth,min.: | [mm] | 0.14 |
| Bend deflection(f),min.: | [mm] | - |
| Fatigue resistance, min.: | [cycle] | - |
| Packing: | | OK |
| Weight per meter: | [kg/m] | 1.1 |
| Length 1 | [meter] | 200m-15/pcs |
| 2 | [meter] | - |
| Packing | - | Steel barrel |

I hereby certify above all is true.

K. Sugimura

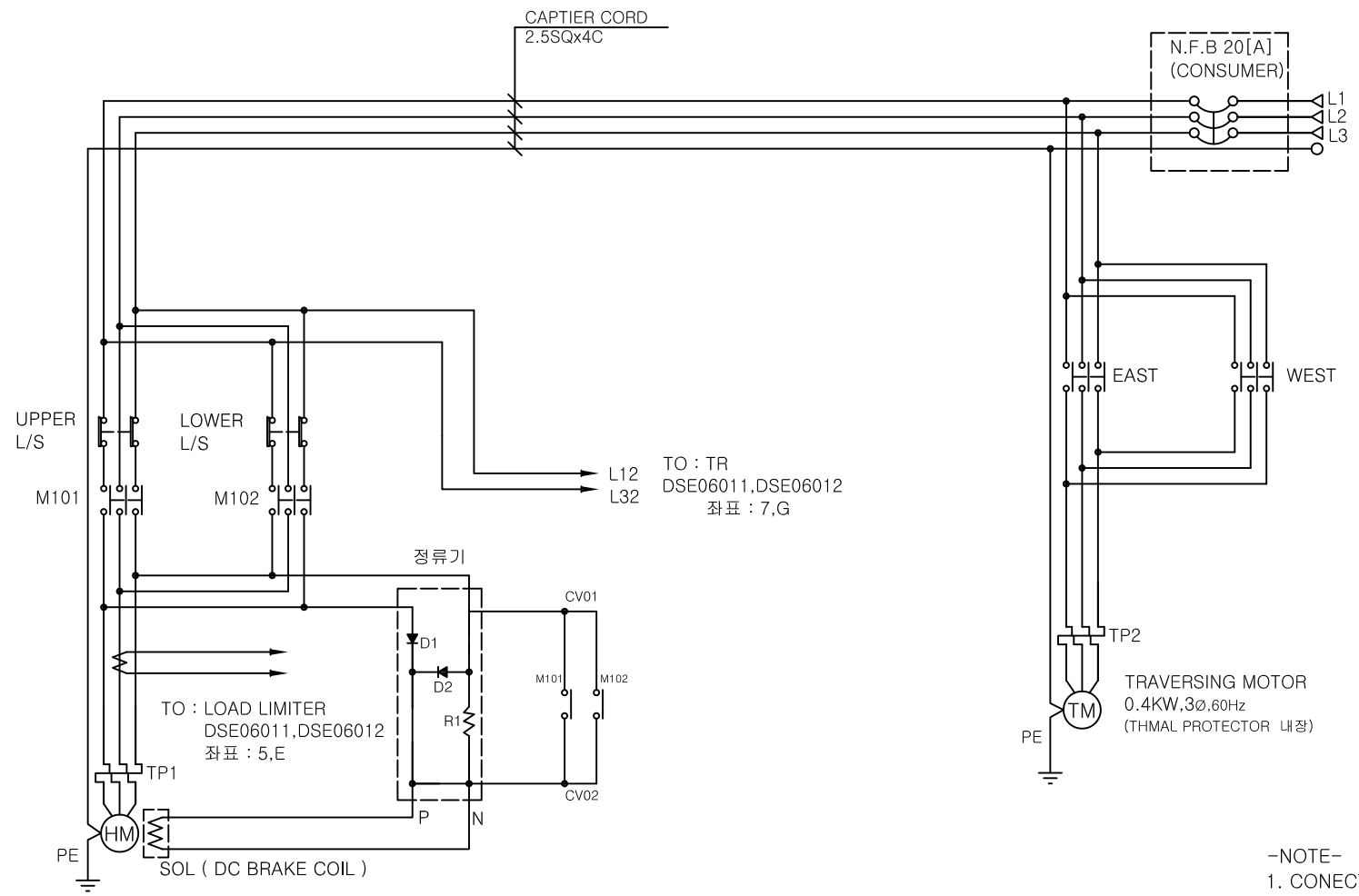
KAZUYUKI SUGIMURA
Quality Assurance Dept.,
Chief Inspector

issued date: March 29,2010

[Note]



| NO | Commodity | Capacity | Q'TY | Model No. | Maker |
|----|-----------|----------|------|-----------|-------|
| | | | | | |



HOISTING MOTOR
1.8KW,3Ø,60Hz
(THMAL PROTECTOR 내장)

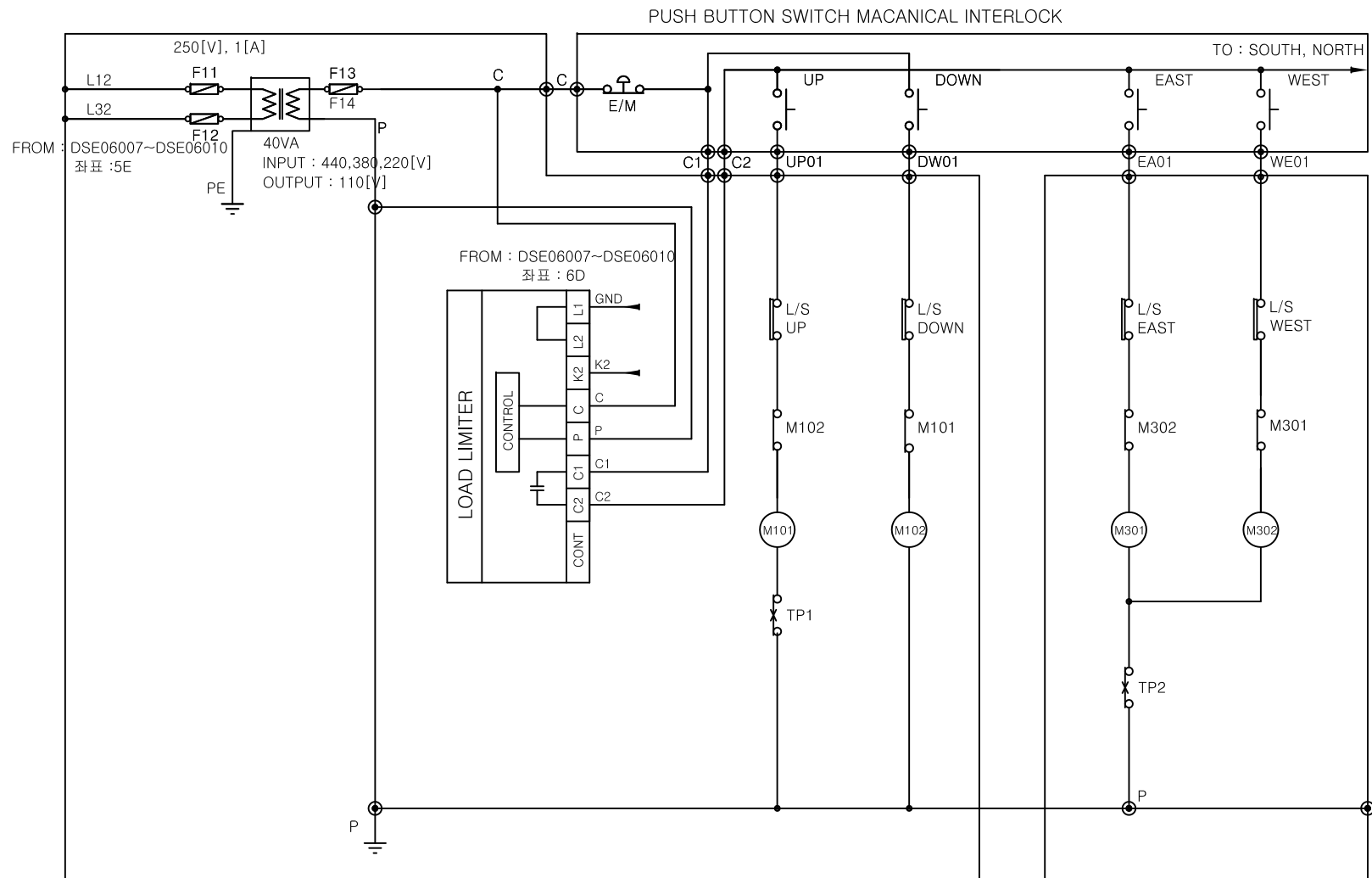
TRAVERSING MOTOR
0.4KW,3Ø,60Hz
(THMAL PROTECTOR 내장)

-NOTE-
1. CONECTION WIRE : 2.5SQ(흑색)

| | | | | | |
|------------------------------|----------|------------------------------------|----------|------------|------|
| TITLE | | POWER CIRCUIT DIAGRAM | | PROJECTION | |
| WORD NO | | WORK NAME | | | |
| | | DSM - 1S.1.9W,2W 220,380,440[V] | | SCALE | Q'TY |
| DRAWN | CHECKED | REVIEWED | APPROVED | DRAWING NO | |
| Y.D | Y.C | | Y.K | DSE06009 | |
| 10.09.02 | 10.09.03 | | 10.09.03 | | |
| InoTEC IND. CO., LTD. | | | | | |

| REV.NO | DATE | REVISION DESCRIPTION | DRAWN | CHECKED | APPROVED |
|--------|------|----------------------|-------|---------|----------|
| | | | | | |

| NO | Commodity | Capacity | Q'TY | Model No. | Maker |
|----|-----------|----------|------|-----------|-------|
| | | | | | |



-NOTE-
1. CONECTION WIRE
: 1.5SQ(적색)

| | | | | | | | |
|-------------------------------------|----------|--|----------|-------------------------|--|------------|------|
| TITLE | | | | CONTROL CIRCUIT DIAGRAM | | PROJECTION | |
| WORD NO | | WORK NAME | | | | | |
| | | DSM - 1S,1.5S,1.9S,1.9W,2W,2S,2.5S,3W,5W 220,380,440[V] | | | | SCALE | Q'TY |
| DRAWN | CHECKED | REVIEWED | APPROVED | DRAWING NO | | | |
| Y.D | Y.C | | Y.K | DSE06012 | | | |
| 10.09.02 | 10.09.02 | | 10.09.03 | | | | |
| DAESAN INoTEC IND. CO., LTD. | | | | | | | |

| REV.NO | DATE | REVISION DESCRIPTION | DRAWN | CHECKED | APPROVED |
|--------|------|----------------------|-------|---------|----------|
| | | | | | |

SCHEDULE OF TECHNICAL DATA

| | |
|---|--------------------------|
| 1. SERVICE | HOISTING |
| 2. MANUFACTURE | DAESAN INOTEC INC. |
| 3. MOTOR MODEL NO. | DSAI - 1S - 220 |
| 4. RATED POWER | 1.8 KW x 4 P |
| 5. RATED VOLTAGE AND FREQUENCY | 220 V 60 HZ |
| 6. MOTOR TYPE | SQUIRREL CAGE ROTOR YPE |
| 7. RATING | 30 MIN |
| 8. LOCATION | IN-DOOR , OUT-DOOR |
| 9. INSULATION CLASS | B |
| 10. DESING TEMPERATURE RISE (BY RESISTANCE) | 80°C |
| 11. FULL LOAD SPEED | 1740 RPM |
| 12. FULL LOAD CURRENT | 9.4 A |
| 13. STARTING CURRENT AT RATED VOLTAGE | 47.0 A |
| 14. MINIMUM STATING VOLTAGE | 198 V |
| 15. EFFICIENCY AT 100% RAGED LOAD | 72.0% |
| 16. POWER FACTOR AT 100% RATED LOAD | 70.0% |
| 17. STARTING TORQUE | 238% |
| 18. TYPE OF ENCLOSURE | 전폐형 |
| 19. TYPE OF BEARING | PL : 6008DD OPL : 6207ZZ |
| 20. MOUNTING | VERTICAL |
| 21. MAXIMUM AMBIENT TEMPURE | 40°C |
| 22. BEARING LUBRICATION | GREASE |
| 23. STARTING METHOD | FULL VOLTAGE |

SCHEDULE OF TECHNICAL DATA

| | |
|---|--------------------------|
| 1. SERVICE | HOISTING |
| 2. MANUFACTURE | DAESAN INOTEC INC. |
| 3. MOTOR MODEL NO. | DSAI - 1S - 380 |
| 4. RATED POWER | 1.8 KW x 4 P |
| 5. RATED VOLTAGE AND FREQUENCY | 380 V 60 HZ |
| 6. MOTOR TYPE | SQUIRREL CAGE ROTOR YPE |
| 7. RATING | 30 MIN |
| 8. LOCATION | IN-DOOR , OUT-DOOR |
| 9. INSULATION CLASS | B |
| 10. DESING TEMPERATURE RISE (BY RESISTANCE) | 80°C |
| 11. FULL LOAD SPEED | 1740 RPM |
| 12. FULL LOAD CURRENT | 5.5 A |
| 13. STARTING CURRENT AT RATED VOLTAGE | 26.8 A |
| 14. MINIMUM STATING VOLTAGE | 342 V |
| 15. EFFICIENCY AT 100% RAGED LOAD | 72.5% |
| 16. POWER FACTOR AT 100% RATED LOAD | 68.8% |
| 17. STARTING TORQUE | 243% |
| 18. TYPE OF ENCLOSURE | 전폐형 |
| 19. TYPE OF BEARING | PL : 6008DD OPL : 6207ZZ |
| 20. MOUNTING | VERTICAL |
| 21. MAXIMUM AMBIENT TEMPURE | 40°C |
| 22. BEARING LUBRICATION | GREASE |
| 23. STARTING METHOD | FULL VOLTAGE |

SCHEDULE OF TECHNICAL DATA

| | |
|---|--------------------------|
| 1. SERVICE | HOISTING |
| 2. MANUFACTURE | DAESAN INOTEC INC. |
| 3. MOTOR MODEL NO. | DSAI - 1S - 440 |
| 4. RATED POWER | 1.8 KW x 4 P |
| 5. RATED VOLTAGE AND FREQUENCY | 440 V 60 HZ |
| 6. MOTOR TYPE | SQUIRREL CAGE ROTOR YPE |
| 7. RATING | 30 MIN |
| 8. LOCATION | IN-DOOR , OUT-DOOR |
| 9. INSULATION CLASS | B |
| 10. DESING TEMPERATURE RISE (BY RESISTANCE) | 80°C |
| 11. FULL LOAD SPEED | 1740 RPM |
| 12. FULL LOAD CURRENT | 4.7 A |
| 13. STARTING CURRENT AT RATED VOLTAGE | 22.8 A |
| 14. MINIMUM STATING VOLTAGE | 396 V |
| 15. EFFICIENCY AT 100% RAGED LOAD | 71.9% |
| 16. POWER FACTOR AT 100% RATED LOAD | 69.8% |
| 17. STARTING TORQUE | 245% |
| 18. TYPE OF ENCLOSURE | 전폐형 |
| 19. TYPE OF BEARING | PL : 6008DD OPL : 6207ZZ |
| 20. MOUNTING | VERTICAL |
| 21. MAXIMUM AMBIENT TEMPURE | 40°C |
| 22. BEARING LUBRICATION | GREASE |
| 23. STARTING METHOD | FULL VOLTAGE |

SCHEDULE OF TECHNICAL DATA

| | |
|---|--------------------------|
| 1. SERVICE | TRAVERSING |
| 2. MANUFACTURE | DAESAN INOTEC INC. |
| 3. MOTOR MODEL NO. | MT - 1 - 220 |
| 4. RATED POWER | 0.4 KW x 6 P |
| 5. RATED VOLTAGE AND FREQUENCY | 220 V 60 HZ |
| 6. MOTOR TYPE | SQUIRREL CAGE ROTOR YPE |
| 7. RATING | 30 MIN |
| 8. LOCATION | IN-DOOR |
| 9. INSULATION CLASS | B |
| 10. DESING TEMPERATURE RISE (BY RESISTANCE) | 100°C |
| 11. FULL LOAD SPEED | 1140 RPM |
| 12. FULL LOAD CURRENT | 3.3 A |
| 13. STARTING CURRENT AT RATED VOLTAGE | 13.9 A |
| 14. MINIMUM STATING VOLTAGE | 198V |
| 15. EFFICIENCY AT 100% RAGED LOAD | 57.5% |
| 16. POWER FACTOR AT 100% RATED LOAD | 54.5% |
| 17. STARTING TORQUE | 249% |
| 18. TYPE OF ENCLOSURE | 전폐형 |
| 19. TYPE OF BEARING | PL : 6202DD OPL : 6204ZZ |
| 20. MOUNTING | VERTICAL |
| 21. MAXIMUM AMBIENT TEMPURE | 40°C |
| 22. BEARING LUBRICATION | GREASE |
| 23. STARTING METHOD | FULL VOLTAGE |

SCHEDULE OF TECHNICAL DATA

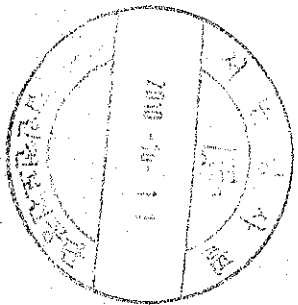
| | |
|---|--------------------------|
| 1. SERVICE | TRAVERSING |
| 2. MANUFACTURE | DAESAN INOTEC INC. |
| 3. MOTOR MODEL NO. | MT - 1 - 380 |
| 4. RATED POWER | 0.4 KW x 6 P |
| 5. RATED VOLTAGE AND FREQUENCY | 380 V 60 HZ |
| 6. MOTOR TYPE | SQUIRREL CAGE ROTOR YPE |
| 7. RATING | 30 MIN |
| 8. LOCATION | IN-DOOR |
| 9. INSULATION CLASS | B |
| 10. DESING TEMPERATURE RISE (BY RESISTANCE) | 100°C |
| 11. FULL LOAD SPEED | 1140 RPM |
| 12. FULL LOAD CURRENT | 1.7 A |
| 13. STARTING CURRENT AT RATED VOLTAGE | 9.2 A |
| 14. MINIMUM STATING VOLTAGE | 342V |
| 15. EFFICIENCY AT 100% RAGED LOAD | 53.0% |
| 16. POWER FACTOR AT 100% RATED LOAD | 51.0% |
| 17. STARTING TORQUE | 249% |
| 18. TYPE OF ENCLOSURE | 전폐형 |
| 19. TYPE OF BEARING | PL : 6202DD OPL : 6204ZZ |
| 20. MOUNTING | VERTICAL |
| 21. MAXIMUM AMBIENT TEMPURE | 40°C |
| 22. BEARING LUBRICATION | GREASE |
| 23. STARTING METHOD | FULL VOLTAGE |

SCHEDULE OF TECHNICAL DATA

| | |
|---|--------------------------|
| 1. SERVICE | TRAVERSING |
| 2. MANUFACTURE | DAESAN INOTEC INC. |
| 3. MOTOR MODEL NO. | MT - 1 - 440 |
| 4. RATED POWER | 0.4 KW x 6 P |
| 5. RATED VOLTAGE AND FREQUENCY | 440 V 60 HZ |
| 6. MOTOR TYPE | SQUIRREL CAGE ROTOR YPE |
| 7. RATING | 30 MIN |
| 8. LOCATION | IN-DOOR |
| 9. INSULATION CLASS | B |
| 10. DESING TEMPERATURE RISE (BY RESISTANCE) | 100°C |
| 11. FULL LOAD SPEED | 1140 RPM |
| 12. FULL LOAD CURRENT | 1.5 A |
| 13. STARTING CURRENT AT RATED VOLTAGE | 9.2 A |
| 14. MINIMUM STATING VOLTAGE | 396V |
| 15. EFFICIENCY AT 100% RAGED LOAD | 55.3% |
| 16. POWER FACTOR AT 100% RATED LOAD | 57.2% |
| 17. STARTING TORQUE | 249% |
| 18. TYPE OF ENCLOSURE | 전폐형 |
| 19. TYPE OF BEARING | PL : 6202DD OPL : 6204ZZ |
| 20. MOUNTING | VERTICAL |
| 21. MAXIMUM AMBIENT TEMPURE | 40°C |
| 22. BEARING LUBRICATION | GREASE |
| 23. STARTING METHOD | FULL VOLTAGE |

I-beam calculation sheets

| | I-150x75x5.5/9.5 | I-200x100x7/10 | | | I-250x125x7.5/12.5 | | | | I-300x150x10/18 | I-400x150x10/18 | | I-600x190x13/25 |
|--------------------------------------|------------------|----------------|-----------|--------|--------------------|-----------|--------|--------|-----------------|-----------------|--------|-----------------|
| | 1TON | 1TON | 2(1.9)TON | 3TON | 1TON | 2(1.9)TON | 3TON | 5TON | 2(1.9)TON | 3TON | 5TON | 5TON |
| SPAN L=Cm | 300 | 400 | 300 | 250 | 600 | 400 | 400 | 250 | 650 | 700 | 400 | 1000 |
| I _x (Cm ⁴) | 819 | 2170 | | | 5180 | | | | 9480 | 24100 | | 98400 |
| I _y (Cm ⁴) | 57.5 | 138 | | | 337 | | | | 588 | 864 | | 2460 |
| z _x (Cm ³) | 109 | 217 | | | 414 | | | | 632 | 1200 | | 3280 |
| z _y (Cm ³) | 15.3 | 27.7 | | | 53.9 | | | | 78.4 | 115 | | 259 |
| S ₁ (Kg·Cm ²) | 883 | 604 | 863(821) | 1124 | 503 | 619(589) | 683 | 908 | 507(484) | 588 | 737 | 530 |
| δ(Cm) | 0.35 | 0.32 | 0.26 | 0.24 | 0.48 | 0.26 | 0.39 | 0.16 | 0.48 | 0.48 | 0.26 | 0.59 |
| δ/L | 1/854 | 1/1250 | 1/1158 | 1/1030 | 1/1243 | 1/1523 | 1/1025 | 1/1623 | 1/1369 | 1/1470 | 1/1526 | 1/1675 |



EC Declaration of Conformity

We hereby declare that the following product is in conformity with the essential health and safety requirements of the following EC Directive:

Product : AC Motor
Model : DSMI-12
Manufacture : INOTEC IND. CO., LTD
Address : Siwa Ind. Site 3RA 820, Jungwang-Dong 1370-4
Shheung Gyonggi-Do, Korea
Rated input voltage : AC 220V / 380V / 440V
Rated frequency : 50/60 Hz
Rated input current : 3.3A/1.67A/1.45A
Applicable EU Directive : Low Voltage Directive (73/23/EEC)
EMC Directive (89/336/EEC)

This product is designed and manufactured in accordance with the following standards

Applicable standards : IEC 60034-1: 2004
IEC 60034-11:2004

Year of CE Marking : 2005-12-27

Authorized signature : _____

Name / Title of signatory : _____ / President



EC Declaration of Conformity

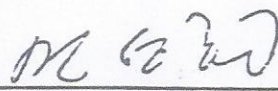
We hereby declare that the following product is in conformity with the essential health and safety requirements of the following EC Directive:

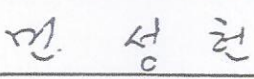
Product : AC Motor
Model : DSAI-1S
Manufacture : INOTEC IND. CO., LTD
Address : Siwa Ind. Site 3RA 820, Jungwang-Dong 1370-4
Shheung Gyonggi-Do, Korea
Rated input voltage : AC 220V / 380V /440V
Rated frequency : 50/60 Hz
Rated input current : 9.2A/4.91A/4.24A
Applicable EU Directive : Low Voltage Directive (73/23/EEC)

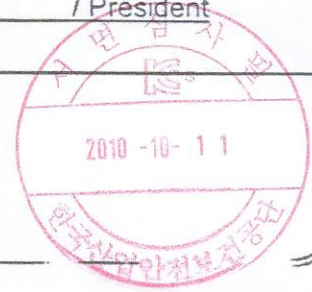
This product is designed and manufactured in accordance with the following standards

Applicable standards : IEC 60034-1: 2004
IEC 60034-11:2004

Year of CE Marking : 2005-12-27

Authorized signature : 

Name / Title of signatory :  / President



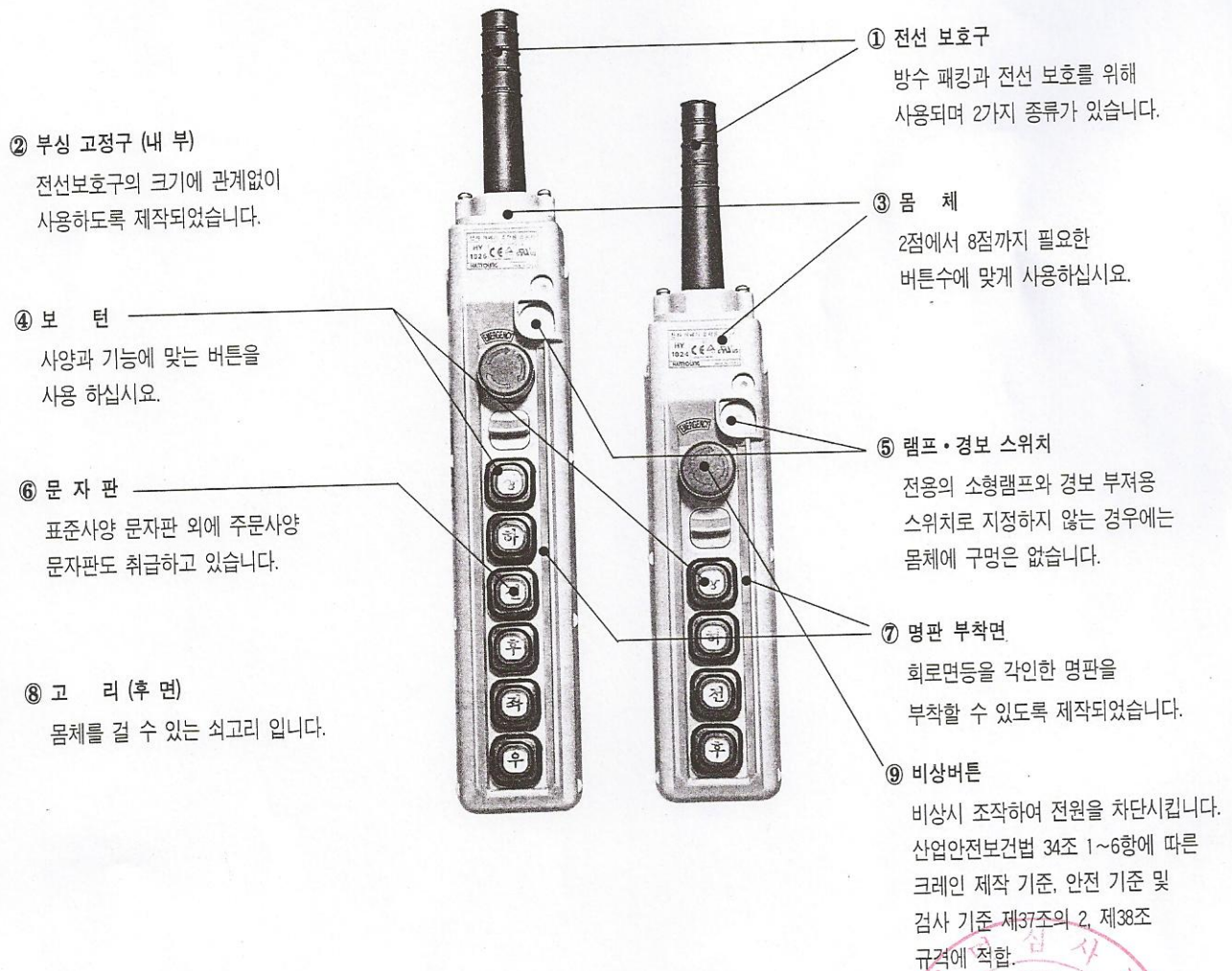
호이스트 스위치

전자 조작용 개폐 스위치 (HOIST SWITCH)

- 전동 HOIST조작용으로 현수식 놀름버튼형 개폐기입니다.
- 방수형의 구조이며 외곽케이스는 기계적 강도 및 전기적 특성이 우수한 수지를 사용하여 가볍고 견고하게 설계되었습니다.
- 스위치 자체에 전원 단절용으로 주회로를 개폐할 수 있는 구조로 되어 있습니다.
- 접점 부분은 1단(1a)이 기본이며, 전동기 속도 제어용에 필요한 2단 접점이 있어 필요 부분에 부착 사용할 수 있도록 설계되어 있습니다.
- 풍부한 버튼 문자판이 준비되어 있어 용도에 맞추어 선택 사용이 용이합니다.
- 소형 및 경량으로 설계되어 경제적입니다.
- 걸고리가 장착되어 사용이 편리합니다.



■ 구조



호이스트 스위치

주요
품목

중대
사고

사
유

사
유

사
유

사
유

사
유

사
유

사
유

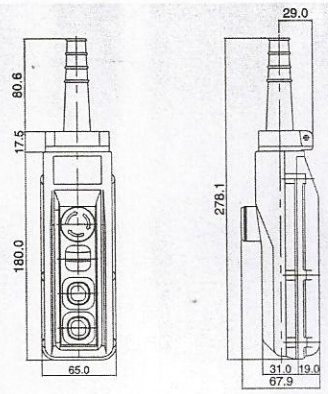
사
유

사
유

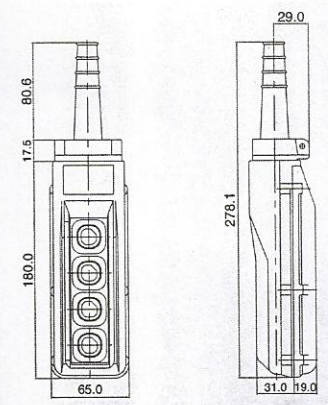
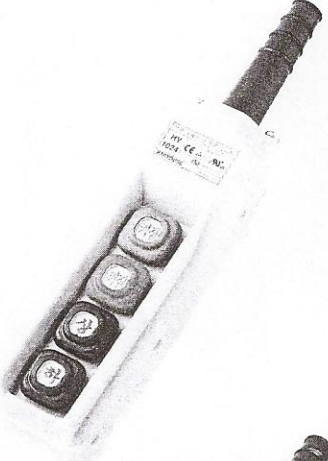
사
유

사
유

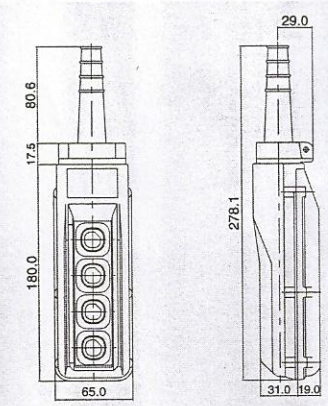
HY-1022 SB



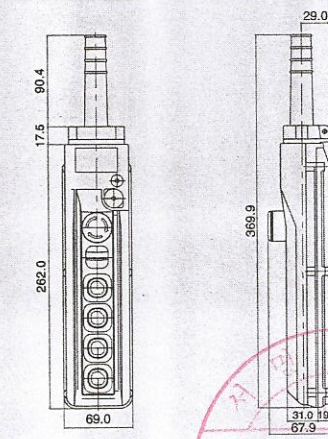
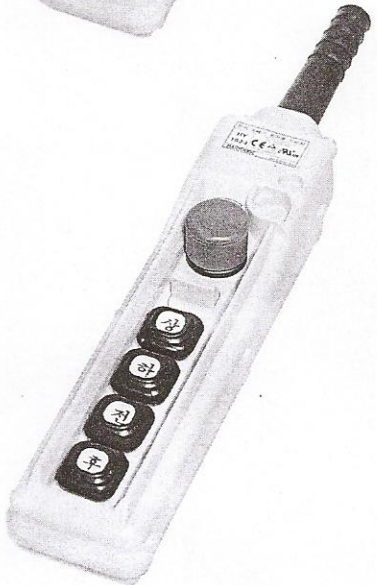
HY-1024 AB



HY-1026 BB



HY-1024SBB



개
페
스
위
치

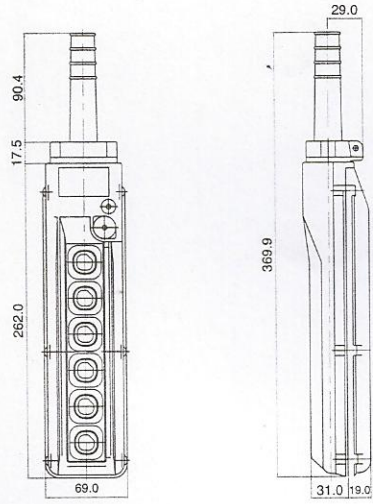
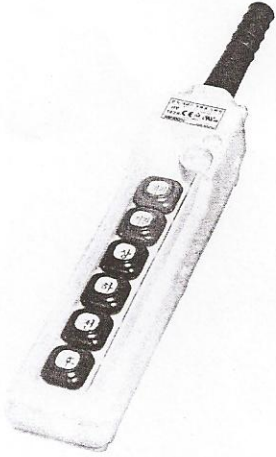
사
유

사
유

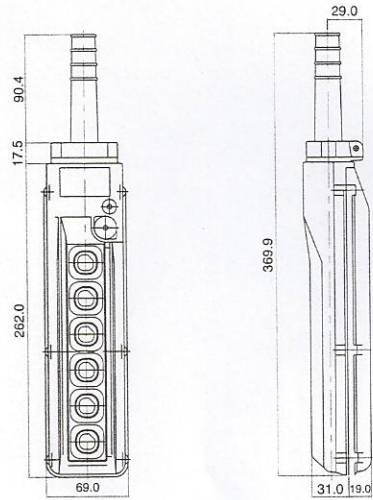
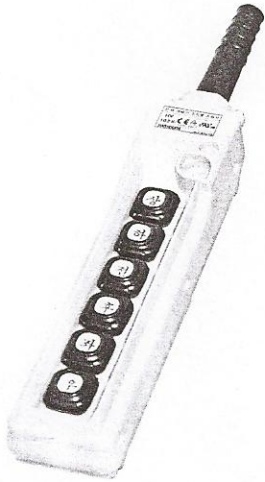


호이스트 스위치

HY-1026 ABB



HY-1026 BBB



HY-1026 SBBB

