



제 2012 - 33553 호

안 전 인 증 서

(사업장명)

(주)대산이노텍

(소 재 지)

(314-821)충남 공주시 정안면 사현리 523

위 사업장에서 제조하는 아래의 품목이 산업안전보건법 제34조 및 같은 법 시행규칙 제58조의4제4항에 따른 안전인증 심사 결과 안전·보건기준에 적합하므로 안전인증표시의 사용을 인증합니다.

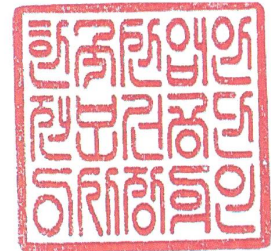
_____ 품 목 _____
호이스트

_____ 형식,모델(용량,등급)/인증번호 _____
DST-2W (2Ton) /12-AG2AC-03040

_____ 인 증 기 준 _____
고용노동부 고시 제2012 - 33호 (위험기계,기구 의무안전인증 고시)

_____ 인 증 조 건 _____

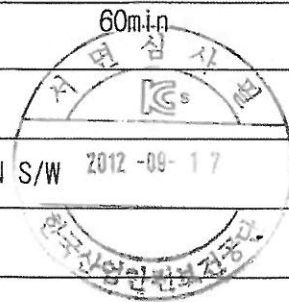
2012년 09월 25일



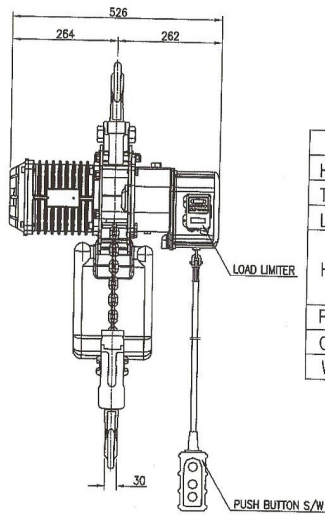
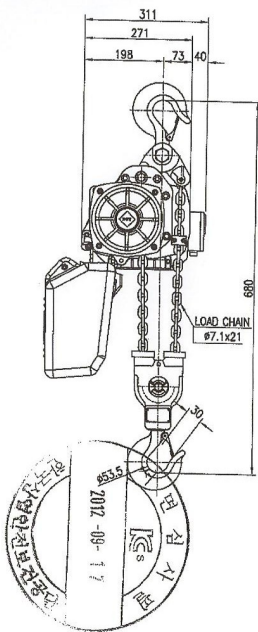
한국산업안전보건공단이사장

TECHNICAL SPECIFICATION

DESCRIPTION		2 [TON] * HOOK SUSPENSION HOIST		
TYPE		DST - 2W TYPE		
HOISTING LOAD		2 [TON]		
TESTING LOAD		2.5 [TON]		
LIFT		50 [M]		
SPEED & MOTOR		SPEED		
	HOISTING	60 [Hz]	4.1	1.8[Kw] × 4P
		50 [Hz]	3.4	
BRAKE SYSTEM	HOISTING	MAGNET CONE BRAKE		
ELECTRIC SPECIFICATION	POWER SOURCE	AC 3Ø 60/50[Hz] 220[V], 380[V], 440[V]		
	CONTROL SOURCE	AC 1Ø 50/60[Hz] 110[V]		
	LIMIT SWITCH	TWO STEP LIMIT SWITCH		
	OVER LOAD LIMITER	ELECTRICAL TYPE.		
	EM. STOP DEVICE	EMERGENCY STOP BUTTON		
LOAD CHAIN	Ø7.1 × 21.0			
MAX AMBIENT TEMPERATUE		40[°C]		
RATING		30{min}		
RATED DUTY		40%ED, ED = $\frac{\text{motor operation period(min) at maximum duty per hour}}{60\text{min}}$		
AREA CLASSIFICATION		INDOOR		
CONTROL METHOD		BY PENDANT PUSH BUTTON S/W 2012-09-17		
PAINTING COLOR		MUNSELL		



NO	DESCRIPTION	MAT'L	Q'TY	WT(kg)	REMARKS



SPECIFICATION			
HOISTING LOAD	2	TON	
TESTING LOAD	2.5	TON	
LIFTING HEIGHT	50	M	
HOISTING	SPEED	50/60Hz	3.4/4.1 M/MIN
		50/60Hz	2.3/2.7 M/MIN
MOTOR	1.8/1.2 KW x 4/6P x 1 SET		
POWER SUPPLY	AC 220, 380, 440 x 3φ x 50/60 Hz		
OPERATING METHOD	P.B type ON . FL		
WEIGHT	170 KG		

TITLE DST-2W CHAIN HOIST				PROJECTION	
WORK NO		WORK NAME			
				SCALE	Q'TY
				1/1	1
DRAWN	CHECKED	REVIEWED	APPROVED	DRAWING NO	
YOO.M.R	-	LEE.H.J	Y.K	DST020W001	
2012.07.11	-	2012.07.11	2012.07.11		
DAESAN INoTEC IND. CO., LTD.					

REV.NO	DATE	REVISION DESCRIPTION	DRAWN	CHECKED	APPROVED

DST-2W 002 .jpg

10

9

8

7

6

5

4

3

2

1

NO	COMMODITY	CAPACITY	Q'TY	MODEL NO	MAKER

ELECTRIC ELEMENTARY DIAGRAM SYBOL LIST

항목	기호	약호	명칭	항목	기호	약호	명칭
1	—		WIRE	22		M302	WEST MAGNET CONTACT 주접점
2	—+—		WIRE CONNECTED	23		M101	UP MAGNET CONTACT 보조접점 a접점
3	●		TERMINAL	24		M102	DOWN MAGNET CONTACT 보조접점 a접점
4	⊕		접지	25		M101	UP MAGNET CONTACT 보조접점 b접점
5			전원입력	26		M102	DOWN MAGNET CONTACT 보조접점 b접점
6			NONE FUSE BREAKER	27		M301	EAST MAGNET CONTACT 보조접점 b접점
7			FUSE	28		M302	WEST MAGNET CONTACT 보조접점 b접점
8			비상스위치	29		UPPER L/S	UP LIMIT SWITCH b접점
9			PUSH BUTTON SWITCH a접점	30		LOWER L/S	DOWN LIMIT SWITCH b접점
10			TRANSFORMER	31		EAST L/S	동향 LIMIT SWITCH b접점
11			RECTIFIER	32		WEST L/S	서향 LIMIT SWITCH b접점
12			CURRENT TRANSFORMER	33		TP1	관성용 MOTOR 작동개전기 b접점
13			팬상용 MOTOR	34		TP2	회향 MOTOR 작동개전기 b접점
14			회향 MOTOR	35		SOL	SOLENOID TYPE DC MAGNET BRAKE COIL
15		M101	UP MAGNET CONTACTOR	36		M001	MAIN MAGNETIC CONTACTOR
16		M102	DOWN MAGNET CONTACTOR	37		M001	MAIN MAGNETIC CONTACTOR 주접점
17		M301	EAST MAGNET CONTACTOR				
18		M302	WEST MAGNET CONTACTOR				
19		M101	UP MAGNET CONTACT 주접점				
20		M102	DOWN MAGNET CONTACT 주접점				
21		M301	EAST MAGNET CONTACT 주접점				

물범복제 및 배포금지

TITLE				PROJECTION	
CIRCUIT DIAGRAM OF DSTM					
WORD NO	WORK NAME			SCALE Q'TY	
	DIAGRAM SYMBOL LIST				
	DSTM-0.5S				
DRAWN	CHECKED	REVIEWED	APPROVED	DRAWING NO	
E.D			Y.K	DSTM001	
2014.01.22		2014.01.22			
DAESAN INoTEC INC.					

REV. NO	DATE	REVISION DESCRIPTION	DRAWN	CHECKED	APPROVED
10					

10

9

8

7

6

5

4

3

2

1

NO	COMMODITY	CAPACITY	Q'TY	MODEL NO	MAKER

ELECTRIC ELEMENTARY DIAGRAM SYBOL LIST

항목	기호	약호	명칭	항목	기호	약호	명칭
1	—		WIRE	22		M302	WEST MAGNET CONTACT 주접점
2	—+—		WIRE CONNECTED	23		M101	UP MAGNET CONTACT 보조접점 a접점
3	●		TERMINAL	24		M102	DOWN MAGNET CONTACT 보조접점 a접점
4	⊕		접지	25		M101	UP MAGNET CONTACT 보조접점 b접점
5			전원입력	26		M102	DOWN MAGNET CONTACT 보조접점 b접점
6			NONE FUSE BREAKER	27		M301	EAST MAGNET CONTACT 보조접점 b접점
7			FUSE	28		M302	WEST MAGNET CONTACT 보조접점 b접점
8			비상스위치	29		UPPER L/S	UP LIMIT SWITCH b접점
9			PUSH BUTTON SWITCH a접점	30		LOWER L/S	DOWN LIMIT SWITCH b접점
10			TRANSFORMER	31		EAST L/S	동향 LIMIT SWITCH b접점
11			RECTIFIER	32		WEST L/S	서향 LIMIT SWITCH b접점
12			CURRENT TRANSFORMER	33		TP1	관성용 MOTOR 작동개전기 b접점
13			팬상용 MOTOR	34		TP2	회향 MOTOR 작동개전기 b접점
14			회향 MOTOR	35		SOL	SOLENOID TYPE DC MAGNET BRAKE COIL
15		M101	UP MAGNET CONTACTOR	36		M001	MAIN MAGNETIC CONTACTOR
16		M102	DOWN MAGNET CONTACTOR	37		M001	MAIN MAGNETIC CONTACTOR 주접점
17		M301	EAST MAGNET CONTACTOR				
18		M302	WEST MAGNET CONTACTOR				
19		M101	UP MAGNET CONTACT 주접점				
20		M102	DOWN MAGNET CONTACT 주접점				
21		M301	EAST MAGNET CONTACT 주접점				

물범복제 및 배포금지

TITLE				PROJECTION	
CIRCUIT DIAGRAM OF DSTM					
WORD NO	WORK NAME			SCALE Q'TY	
	DIAGRAM SYMBOL LIST				
	DSTM-0.5S				
DRAWN	CHECKED	REVIEWED	APPROVED	DRAWING NO	
E.D			Y.K	DSTM001	
2014.01.22		2014.01.22			
DAESAN INoTEC INC.					

REV. NO	DATE	REVISION DESCRIPTION	DRAWN	CHECKED	APPROVED
10					
9					
8					
7					
6					
5					
4					
3					
2					
1					

SCHEDULE OF TECHNICAL DATA

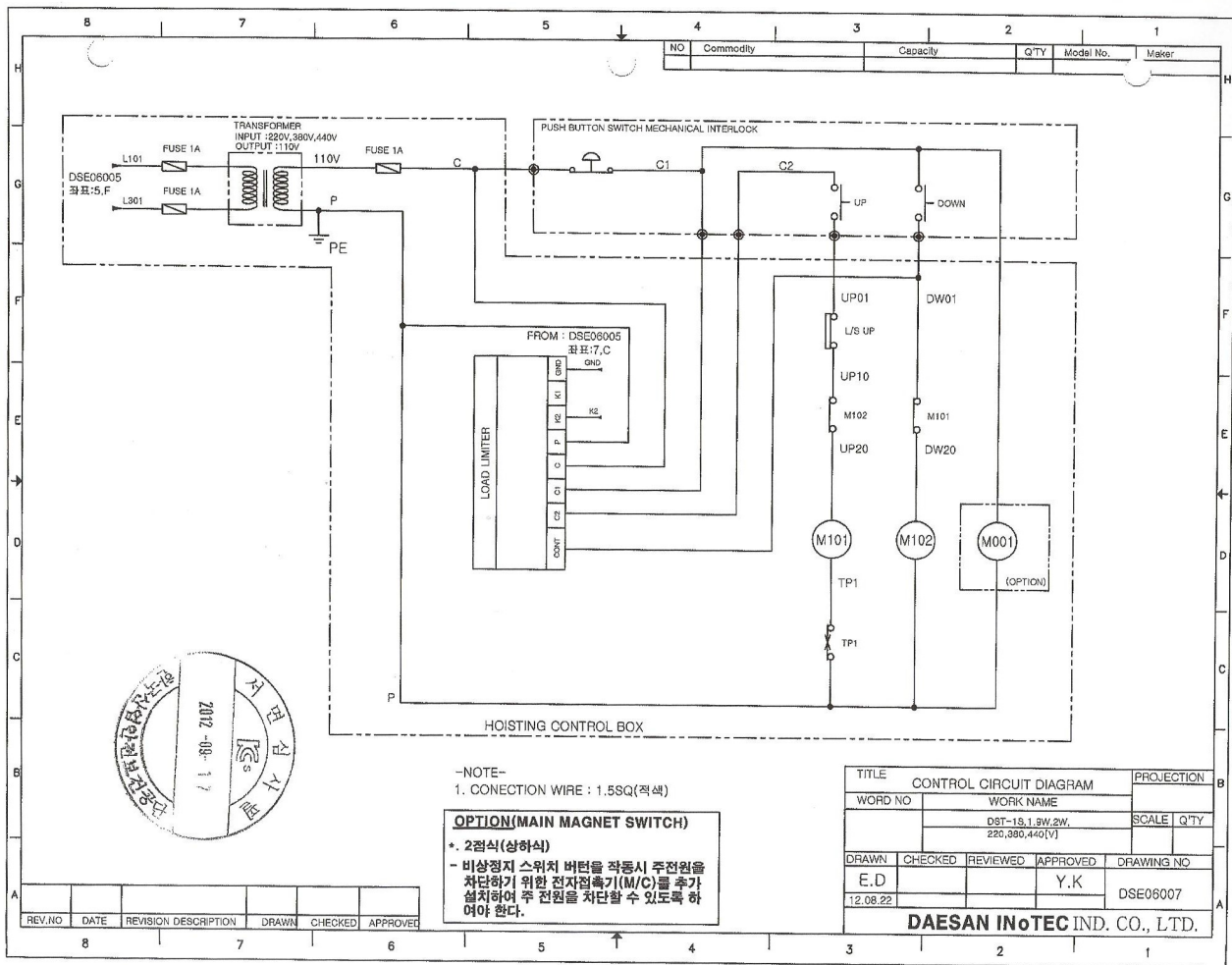
1. SERVICE	HOISTING
2. MANUFACTURE	DAESAN INOTEC INC.
3. MOTOR MODEL NO.	DSAI - 1S - 220
4. RATED POWER	1.8 KW x 4 P
5. RATED VOLTAGE AND FREQUENCY	220 V 60 HZ
6. MOTOR TYPE	SQUIRREL CAGE ROTOR YPE
7. RATING	30 MIN
8. LOCATION	IN-DOOR , OUT-DOOR
9. INSULATION CLASS	B
10. DESING TEMPERATURE RISE (BY RESISTANCE)	80°C
11. FULL LOAD SPEED	1740 RPM
12. FULL LOAD CURRENT	9.4 A
13. STARTING CURRENT AT RATED VOLTAGE	47.0 A
14. MINIMUM STATING VOLTAGE	198 V
15. EFFICIENCY AT 100% RAGED LOAD	72.0%
16. POWER FACTOR AT 100% RATED LOAD	70.0%
17. STARTING TORQUE	238%
18. TYPE OF ENCLOSURE	전폐형
19. TYPE OF BEARING	PL : 6008DD OPL : 6207ZZ
20. MOUNTING	VERTICAL
21. MAXIMUM AMBIENT TEMPURE	40°C
22. BEARING LUBRICATION	GREASE
23. STARTING METHOD	FULL VOLTAGE

SCHEDULE OF TECHNICAL DATA

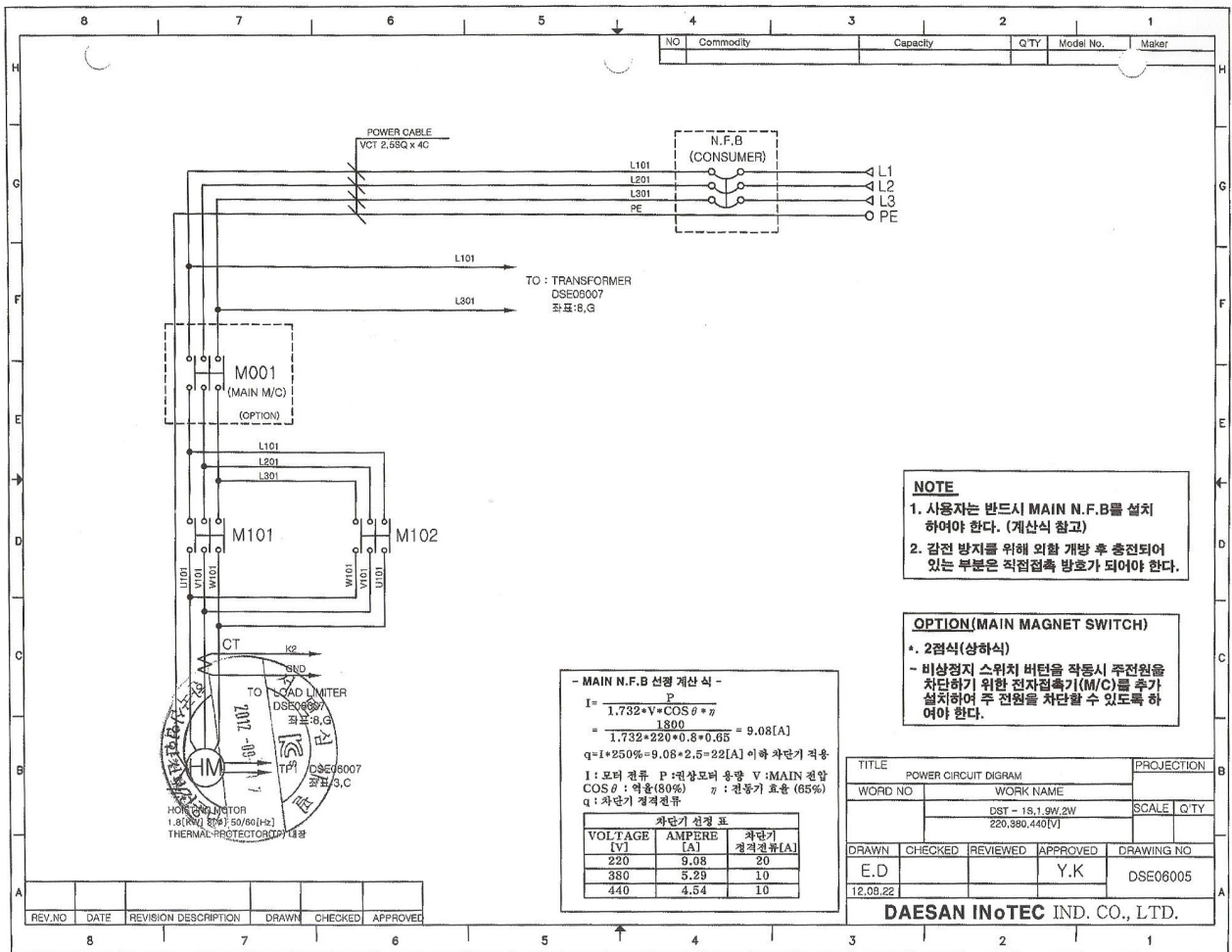
1. SERVICE	HOISTING
2. MANUFACTURE	DAESAN INOTEC INC.
3. MOTOR MODEL NO.	DSAI - 1S - 380
4. RATED POWER	1.8 KW x 4 P
5. RATED VOLTAGE AND FREQUENCY	380 V 60 HZ
6. MOTOR TYPE	SQUIRREL CAGE ROTOR YPE
7. RATING	30 MIN
8. LOCATION	IN-DOOR , OUT-DOOR
9. INSULATION CLASS	B
10. DESING TEMPERATURE RISE (BY RESISTANCE)	80°C
11. FULL LOAD SPEED	1740 RPM
12. FULL LOAD CURRENT	5.5 A
13. STARTING CURRENT AT RATED VOLTAGE	26.8 A
14. MINIMUM STATING VOLTAGE	342 V
15. EFFICIENCY AT 100% RAGED LOAD	72.5%
16. POWER FACTOR AT 100% RATED LOAD	68.8%
17. STARTING TORQUE	243%
18. TYPE OF ENCLOSURE	전폐형
19. TYPE OF BEARING	PL : 6008DD OPL : 6207ZZ
20. MOUNTING	VERTICAL
21. MAXIMUM AMBIENT TEMPURE	40°C
22. BEARING LUBRICATION	GREASE
23. STARTING METHOD	FULL VOLTAGE

SCHEDULE OF TECHNICAL DATA

1. SERVICE	HOISTING
2. MANUFACTURE	DAESAN INOTEC INC.
3. MOTOR MODEL NO.	DSAI - 1S - 440
4. RATED POWER	1.8 KW x 4 P
5. RATED VOLTAGE AND FREQUENCY	440 V 60 HZ
6. MOTOR TYPE	SQUIRREL CAGE ROTOR YPE
7. RATING	30 MIN
8. LOCATION	IN-DOOR , OUT-DOOR
9. INSULATION CLASS	B
10. DESING TEMPERATURE RISE (BY RESISTANCE)	80°C
11. FULL LOAD SPEED	1740 RPM
12. FULL LOAD CURRENT	4.7 A
13. STARTING CURRENT AT RATED VOLTAGE	22.8 A
14. MINIMUM STATING VOLTAGE	396 V
15. EFFICIENCY AT 100% RAGED LOAD	71.9%
16. POWER FACTOR AT 100% RATED LOAD	69.8%
17. STARTING TORQUE	245%
18. TYPE OF ENCLOSURE	전폐형
19. TYPE OF BEARING	PL : 6008DD OPL : 6207ZZ
20. MOUNTING	VERTICAL
21. MAXIMUM AMBIENT TEMPURE	40°C
22. BEARING LUBRICATION	GREASE
23. STARTING METHOD	FULL VOLTAGE



CONTROL CIRCUIT DIAGRAM.jpg



DST POWER CIRCUIT.jpg

pewag



pewag austria GmbH
 A-8605 Kapfenberg, Mariazeiler Straße 143
 Phone: +43 (0) 3862 / 2990-0
 Fax: +43 (0) 3862 / 29 90-700
 office@pewag.com
 www.pewag.com

Inspection certificate according to EN 10204 3.1
 Abnahmeprüfzeugnis nach EN 10204 3.1

DAE SAN INOTEC INC. JUNGAN 2ND FARM'S IND. COMPL. 523 SAHYUN-RI, JUNGAN-MYUN ROK GONJU CITY, CHUNGCHONGNAM Specification according to Angewandte Norm JIS B8812 JIS B8812	Order number Bestell-Nr.	MAIL 03/05
	Certificate number Prüfzeugnis-Nr.	PWA201200332200
	Commission number Werksbogen-Nr.	127476900

Additional information	Normbezeichnung	HE KN INOTEC B-MN G80 RAS 7,1X21 BF
Comment	Bemerkung	
Amount (pcs.)	Liefermenge (Stk.)	12
Length (m)	Länge (m)	200
Weight (kg)	Gewicht (kg)	2672
Material	Material	Special steel / Sonderstahl
Traceability code	Rückverfolgbarkeits-Code	D.505080

		Nominal data Sollwerte	
Working load limit	Tragfähigkeit	M5/M3	kg
Proof load min.	Fertigungsprüfkraft		1000/1300
Breaking load min.	Bruchkraft		40,00
Elongation at rupture min.	Bruchdehnung		93,00
Nominal diameter	Nennstärke	d	%
Max diameter at the weld	Geschweißter Schenkel max.	d _S	7.1 +0.10/-0.30
Width	Seitlänge	l ₁	7,80
Length of measurement	Messlänge	l ₂	21 +0.20/-0.20
Outside width	Breite außen	b ₂	201 +0.65/-0.35
Inside width	Breite innen	b ₁	22.1 MAX
Deflection min.	Biegeprüfung min.		5.9 (MIN)
Twist	Drehprüfung		7mm
Surface hardness	Oberflächenhärte		580-700 HV10 J
Hardness at the core	Kernhärte	HV	CA 390 HV10
Case depth	Einschichttiefe	mm	0.21 - 0.30

Surface
Oberfläche
Stamp
Stempeltext
BLACK FINISH
BLACK FINISH
"D.S."

EG/CE - Declaration by the manufacturer.

We declare in our sole responsibility that the product mentioned in this certificate fulfils the relevant provisions of the Machinery Directive 2006/42/EC and that the CE mark has been affixed in accordance with the provisions of the said Directive. We confirm that the instructions for use (www.pewag.com/infocenter_downloads.asp) has been read and understood.

EG/CE - Erbauerklärung:

Wir erklären in alleiniger Verantwortung, dass das in diesem Prüfzeugnis genannte Produkt die Bestimmungen der Richtlinie 2006/42/EG erfüllt und die angeführten Normen angewendet wurden. Voraussetzung für die Inbetriebnahme ist, dass die Bedienungsanleitung gelesen (www.pewag.com/infocenter_downloads.asp) und verstanden wurde.

Result of test Prüfergebnis	Kapfenberg	Manufacturer Qualitätsseite	This certificate was generated by computer and is valid without a signature. Dieses Prüfzeugnis wurde EDV-unterstützt erstellt und ist ohne Unterschrift gültig.
WITHOUT ANY OBJECTION OHNE BEANSTÄNDLUNG	26.07.2012	I A DI Scharfetter (Acceptance representative) (Abnahmebeauftragter)	

This test certificate must be kept for ten years resp. during the entire service life.
 Dieses Prüfzeugnis ist 10 Jahre lang bzw. über die gesamte Nutzungsdauer aufzubewahren.

Rechtshilfe: Gesetzlich mit beschränkter Haftung, 8100 Graz
 Firmenbuchnummer FN 35 203
 Firmenbuchgericht: Landesgericht für Zivilsachen
 UID-Nr.: ATU2693801, ARA-Lizenznummer: 1209



DAESAN INOTEC INC.

EC Declaration of Conformity

We hereby declare that the following product is in conformity with the essential health and safety requirements of the following EC Directive:

Product : AC Motor
Model : DSAI-1S
Manufacture : DAESAN INOTEC INC.
523, Sahyun-Ri, Jungahn-Myun, Gongju-Si,
Chungcheongnam-do, South Korea
Rated input voltage : AC 220V / 380V / 440V
Rated frequency : 50/60 Hz
Rated input current : 9.2A/4.91A/4.24A

Applicable EU Directive : Low Voltage Directive (73/23/EEC)

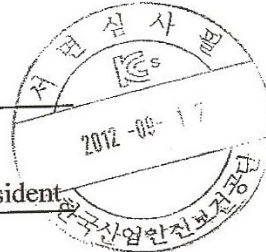
This product is designed and manufactured in accordance with the following standards

Applicable standards : IEC 60034/1: 2004
IEC 60034-11:2004

Year of CE Marking : 2005-12-27

Authorized signature :

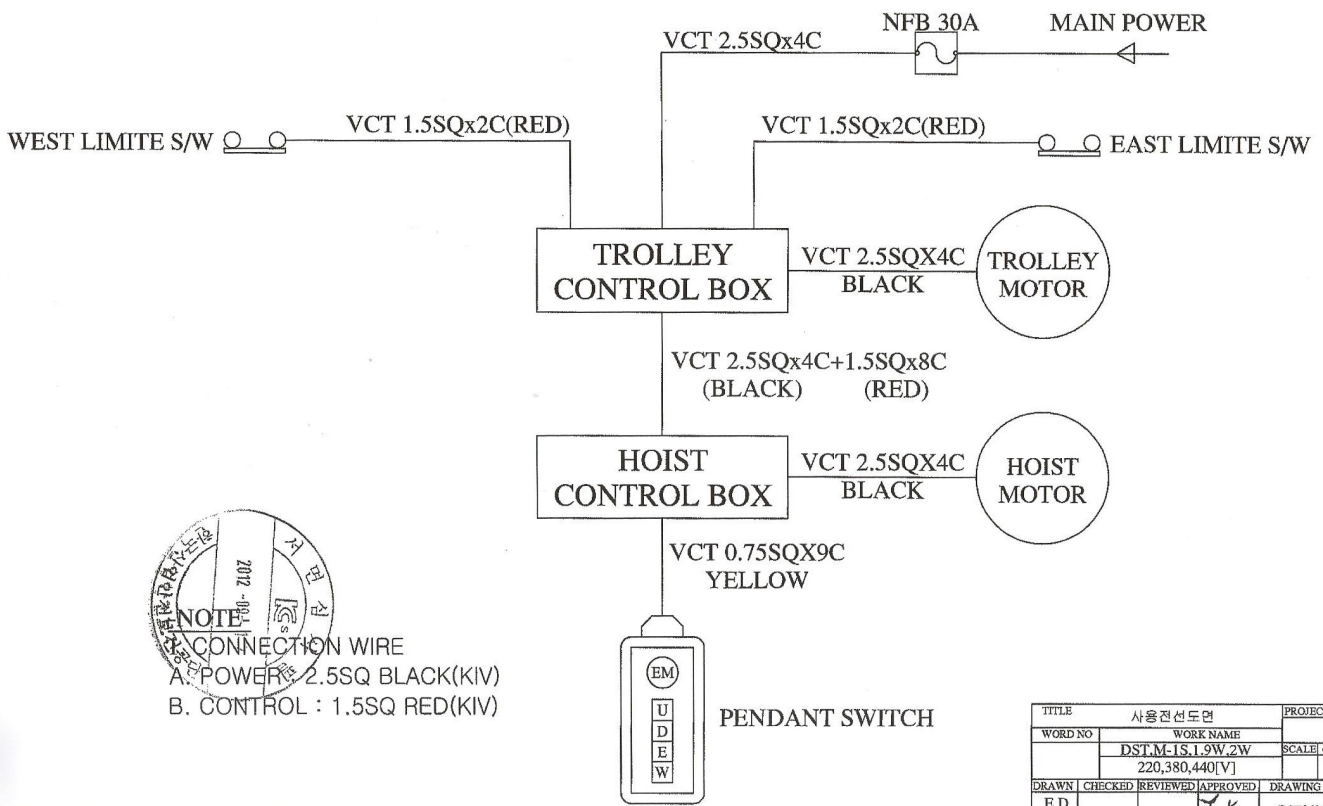
Name / Title of signature: Sung Won Kang / President



NO	Commodity	Capacity	QTY	Model No.	Maker
----	-----------	----------	-----	-----------	-------

사용전선도면

MODEL : DST,M-1S,1.9W,2W



NOTE
 CONNECTION WIRE
 A. POWER : 2.5SQ BLACK(KIV)
 B. CONTROL : 1.5SQ RED(KIV)

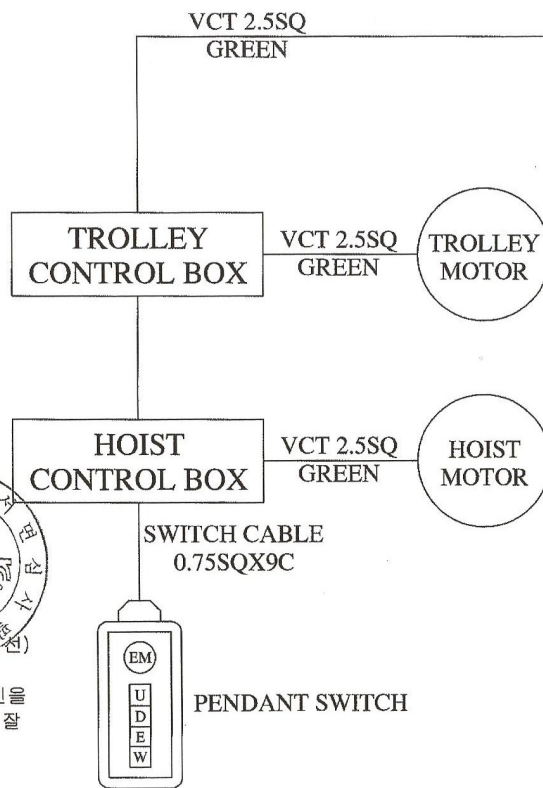
REV.NO	DATE	REVISION DESCRIPTION	DRAWN	CHECKED	APPROVED
--------	------	----------------------	-------	---------	----------

TITLE		사용전선도면		PROJECTION	
WORD NO	WORK NAME			SCALE	QTY
	DST,M-1S,1.9W,2W				
	220,380,440[V]				
DRAWN	CHECKED	REVIEWED	APPROVED	DRAWING NO	
E.D				DSE06011	
12.08.22					
DAESAN INoTEC IND. CO., LTD.					

접지도면

MODEL : DST,M-1S,1.9W,2W

NO	Capacity	QTY	Model No.	Maker
----	----------	-----	-----------	-------



접지공사 시설방법

1. 전동기의 후레임, 제어반, 레일등은 접지를 해야 하며다음의 규정을 따른다.

3중 접지	400V 이하	100Ω 이하
특별 제3중 접지	400V 초과	10Ω 이하

단 방폭지역은 전압에 관계없이 10Ω 이하일것.

2. 접지전용 트롤리선 및 전선은 당해 전기기기, 기구에 대하여 충분한 용량 및 전기적, 기계적 강도를 가져야 한다.
3. 접지선이 외상을 받을 우려가 있는 경우에는 전선관, 합성수지관 등에 넣어야 한다.
4. 접지공사는 지표면에서 최저 75cm 이상의 깊이에 접지봉을 박고 접지봉에는 접지동판을 연결한다.

-NOTE-

1. TROLLEY-BAR은 전기 기술기준 제226호 (저압접촉전선)에 준하여 설치한다.
2. MAIN S/W BOX는 당해 크레인을 지상에서 쉽게 개폐할 수 있는 잘 보이는 곳에 설치한다.



TITLE		접지도면		PROJECTION
WORD NO	WORK NAME			SCALE QTY
	DST,M-1S,1.9W,2W			
	220,380,440[V]			
DRAWN	CHECKED	REVIEWED	APPROVED	DRAWING NO
E.D			Y.K	DSE06010
12.08.22				
DAESAN INoTEC IND. CO., LTD.				

REV. NO	DATE	REVISION DESCRIPTION	DRAWN	CHECKED	APPROVED
---------	------	----------------------	-------	---------	----------

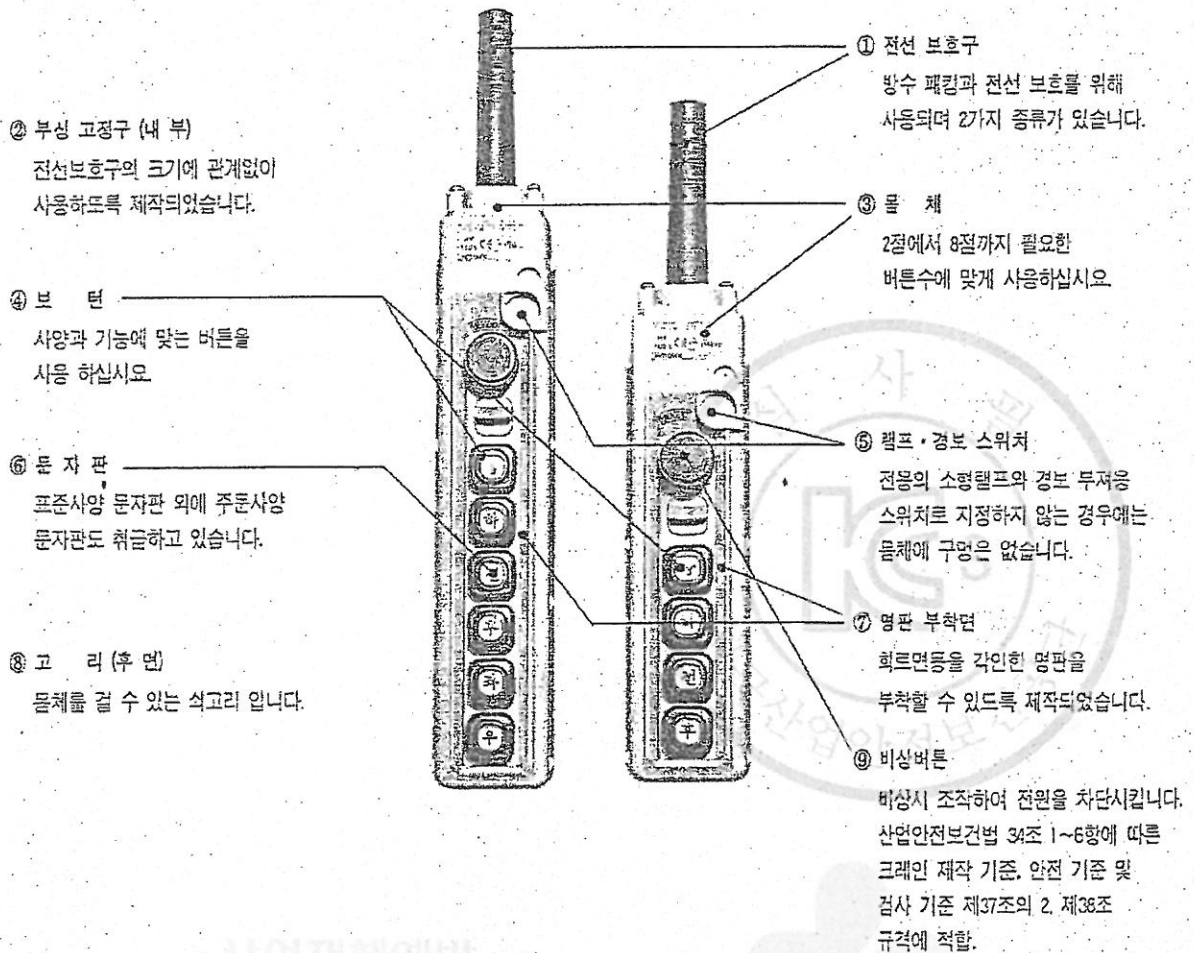
호이스트 스위치

전자 조작용 개폐 스위치 (HOIST SWITCH)

- 전동 HOIST조작용으로 현수식 늘름버튼형 개폐기입니다.
- 방수형의 구조이며 외곽케이스는 기계적 강도 및 전기적 특성이 우수한 주석을 사용하여 가볍고 견고하게 설계되었습니다.
- 스위치 자체에 전원 단절용으로 주회로를 개폐할 수 있는 구조로 되어 있습니다.
- 접점 부분은 1단(1a)이 기본이며, 전동기 속도 제어에 필요한 2단 접점이 있어 필요 부분에 부착 사용할 수 있도록 설계되어 있습니다.
- 풍부한 버튼 문자판이 준비되어 있어 응도에 맞추어 선택 사용이 용이합니다.
- 소형 및 경량으로 설계되어 경제적입니다.
- 걸고리가 장착되어 사용이 편리합니다.



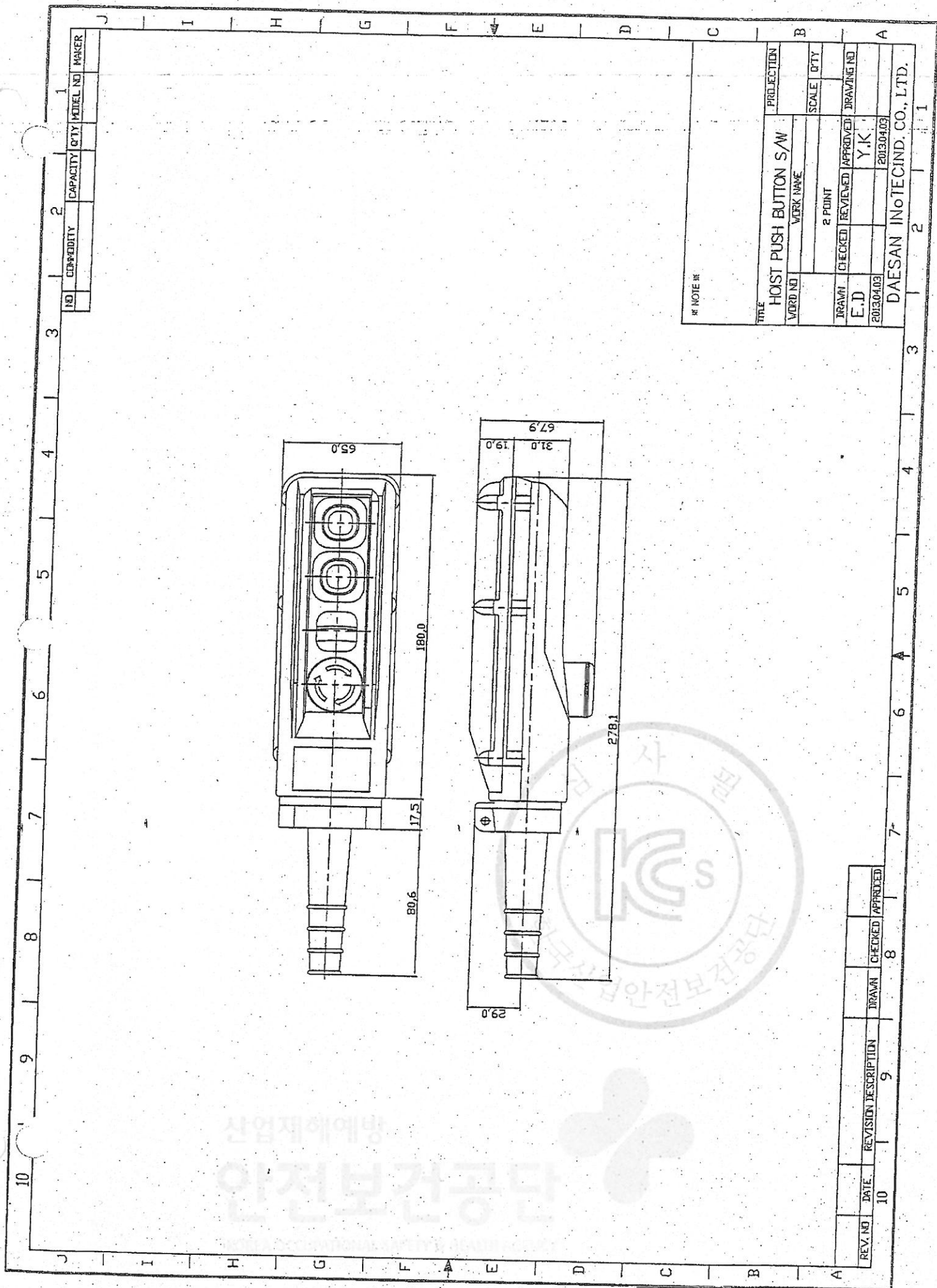
구 조



산업안전예방
이전보건공단

INDUSTRIAL OCCUPATIONAL SAFETY & HEALTH

불법복제 및 배포금지



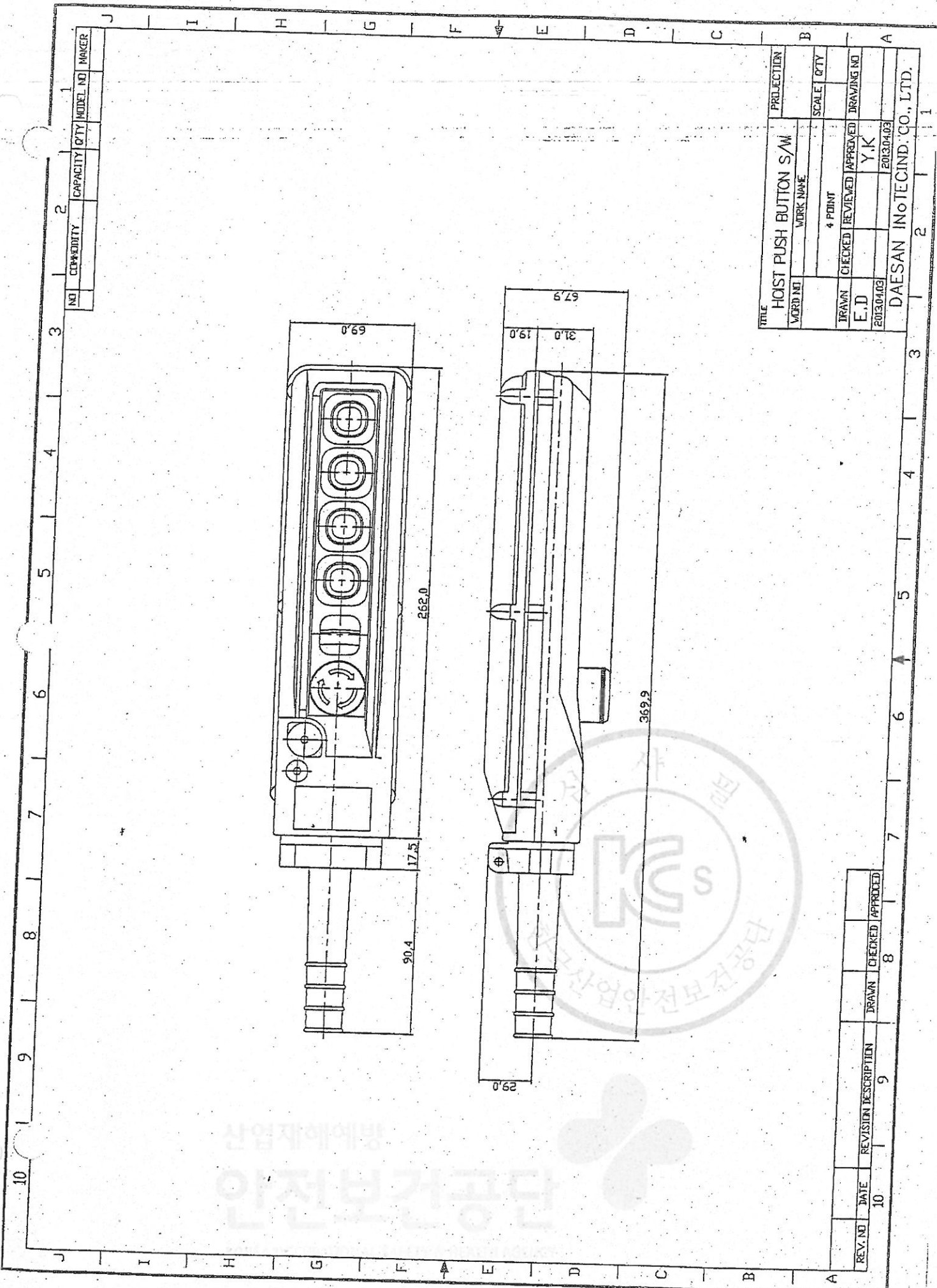
NO.	CAPACITY	CAPACITY QTY	MODEL NO.	MAKER

* NOTE *		PROJECTION	
TITLE HOIST PUSH BUTTON S/W			
WORD NO.	WORK NAME	SCALE	QTY
	2 POINT		
DRAWN	CHECKED	REVIEWED	APPROVED
E.D		Y.K	
20130403		20130403	
DAESAN INOTECHIND. CO., LTD.			

REV. NO.	DATE.	REVISION DESCRIPTION	DRAWN	CHECKED	APPROVED

산업재해예방
안전보건공단

불법복제 및 배포금지

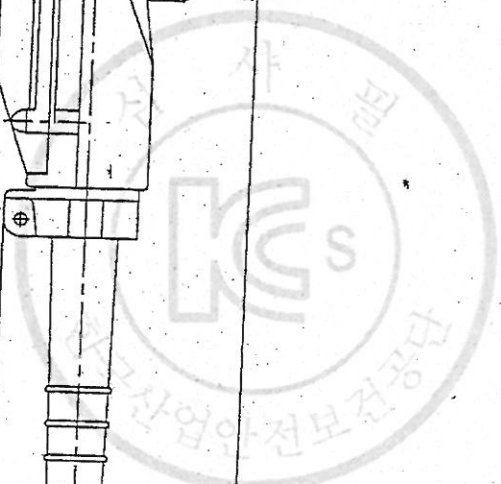


NO	CAPACITY	CAPACITY	CITY	MODEL NO	MANAGER

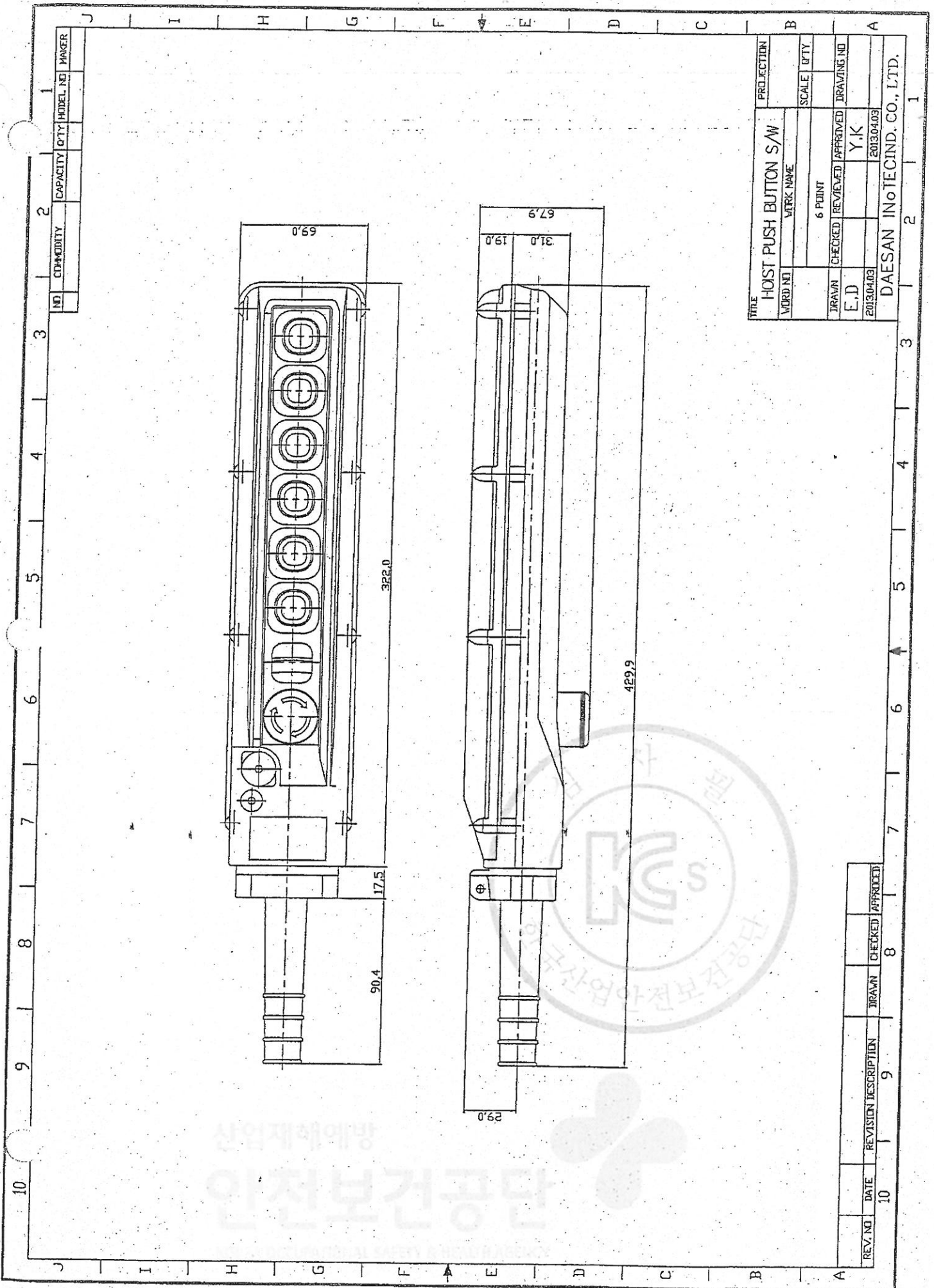
TITLE		HOIST PUSH BUTTON S/W		PROJECTION	
WORD NO		WORK NAME		SCALE	
DRAWN		CHECKED		REVISED	
E.D		Y.K		DRAWING NO	
2013.04.03		2013.04.03		2013.04.03	
DAESAN INOTECHIND. CO., LTD.					

REV. NO	DATE	REVISION DESCRIPTION	DRAWN	CHECKED	APPROVED

산업자세예빙
안전보건공단



불법복제 및 배포금지

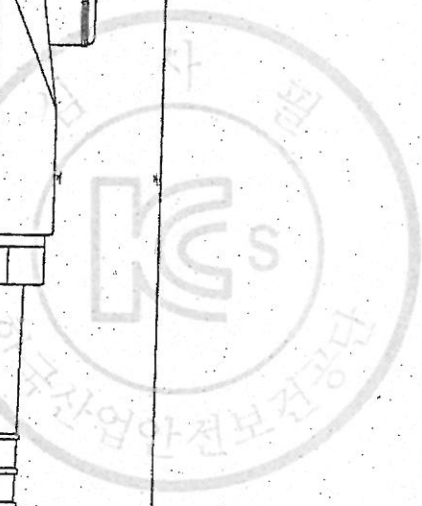


NO.	COMMODITY	CAPACITY	QTY	MODEL NO.	MARGER

TITLE		HOST PUSH BUTTON S/W		PROJECTION	
WORD NO.		WORK NAME		SCALE	
DRAWN		CHECKED		QTY	
E.D.		REVIEWED		6 POINT	
2013.04.03		APPROVED		DRAWING NO.	
		Y.K			
		2013.04.03			
DAESAN INOTECHIND. CO., LTD.					

REV. NO.	DATE	REVISION DESCRIPTION	DRAWN	CHECKED	APPROVED

상업적해예방
안전보건공단



제 2012-BJ-0008 호



안 전 인 증 서

정호엔지니어링

경기도 광명시 노동사동 440-5

위 사업장에서 제조하는 아래의 품목이 산업안전보건법 제34조 및 같은 법 시행규칙 제58조의4제4항에 따른 안전인증 심사 결과 안전·보건기준에 적합하므로 안전인증표시의 사용을 인증합니다.

품 목

양증기용 과부하방지장치

형식·모델/용량·등급·등급/인증번호

형식·모델	용량·등급	인증번호
JDLS-70	J-2	12-AV2BJ-0008

인 증 기 준

방호장치 의무안전인증 고시(고용노동부고시 제2010-36호)

인 증 조 건

아래 주소에서 생산되는 제품에 한함.
정호엔지니어링, 경기도 광명시 노동사동 440-5

2012년 06월 11일

한국산업안전보건공단 이사장

