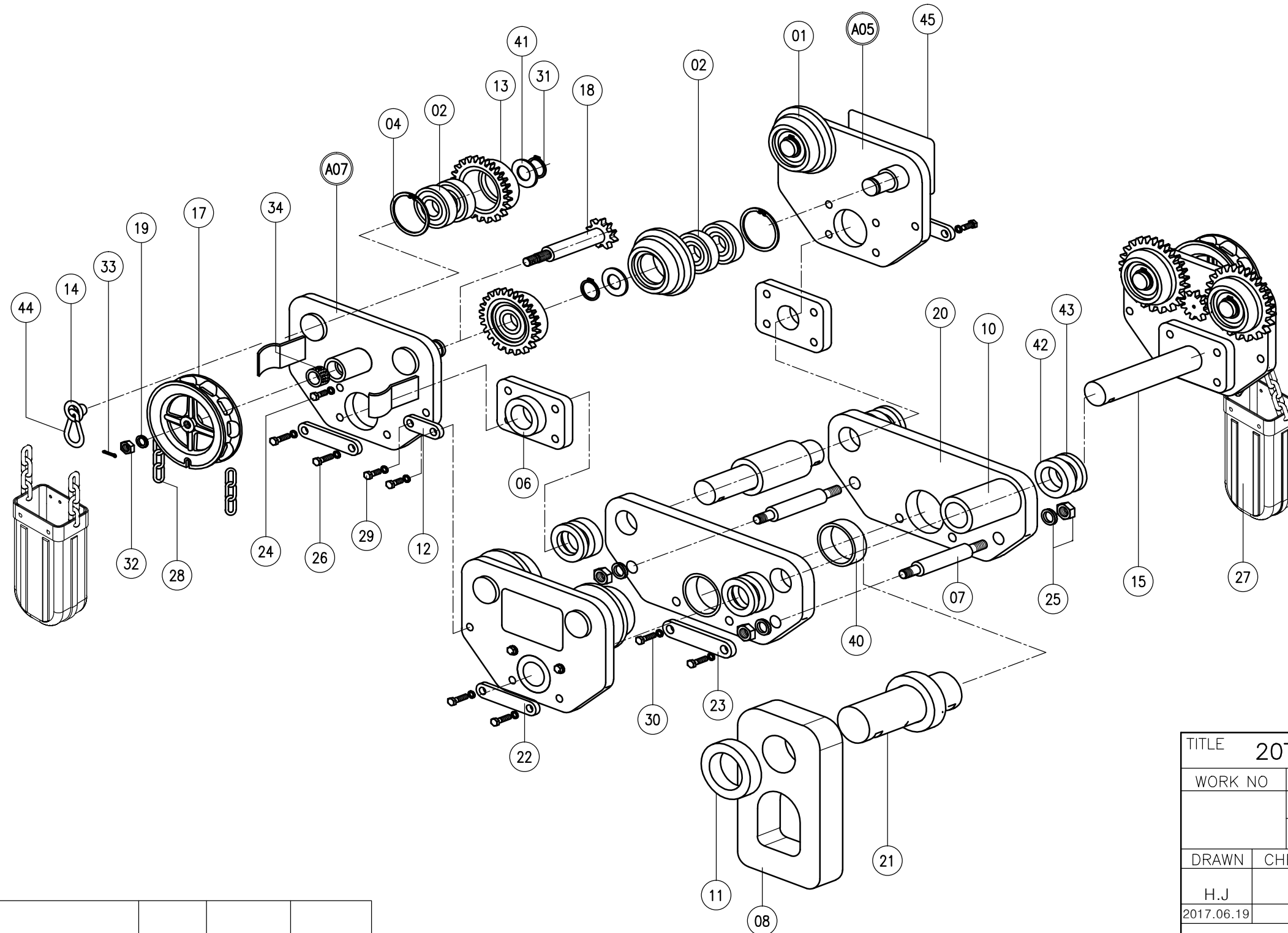


NO	DESCRIPTION	Q'TY	REMARKS								
001	PLAIN ROLLER	4		015	G/T SHAFT	2		028	HAND CHAIN	2	
002	BALL BEARING	16	6308DD	016	GUIDE PLATE	4		029	HEX BOLT S/W	4	M18x40
004	SNAP RING	8	R-90	017	HAND WHEEL	2		030	HEX BOLT S/W	4	M20x65
A05	PLAIN SIDE PLATE ASS'Y	2		018	PINION GEAR	2		031	SNAP RING	8	S-40
006	BRACKET	4		019	PLAIN WASHER	2	M24	032	PINION NUT	2	M24
007	STAY BOLT	2		020	CONNECTION PLATE	2		033	COTTER PIN	2	Ø6x83
008	CONNECTOR	1		021	CONNECTION SHAFT	1		034	BUSHING A	4	
A09	GEAR SIDE PLATE ASS'Y	2		022	KEY PLATE A	4		040	BUSHING B	2	
010	COLLAR	2		023	KEY PLATE B	2		041	PLAIN WASHER	8	
011	CONNECTION COLLAR	2		024	HEX BOLT S/W	8	M16x40	042	ADJUSTING COLLAR A	4	
012	CONNECTION PLATE	2		025	HEX NUT S/W	4	M22	043	ADJUSTING COLLAR B	4	
013	GEAR ROLLER	4		026	HEX BOLT S/W	8	M16x55	044	CLIP	2	
014	EYE NUT	2	M12	027	CHAIN BOX	2		045	NAME PLATE	2	



TITLE				20TON GEAR TROLLEY		PROJECTION	
WORK NO		WORK NAME					
		SCALE		Q'TY			
		1/5					
DRAWN	CHECKED	REVIEWED	APPROVED	DRAWING NO			
H.J	-	LEE	Y. K	DSG200WE01			
2017.06.19	-	2017.06.19	2017.06.19				

REV.NO	DATE	REVISION DESCRIPTION	DRAWN	CHECKED	APPROVED

DAESAN INoTEC INC