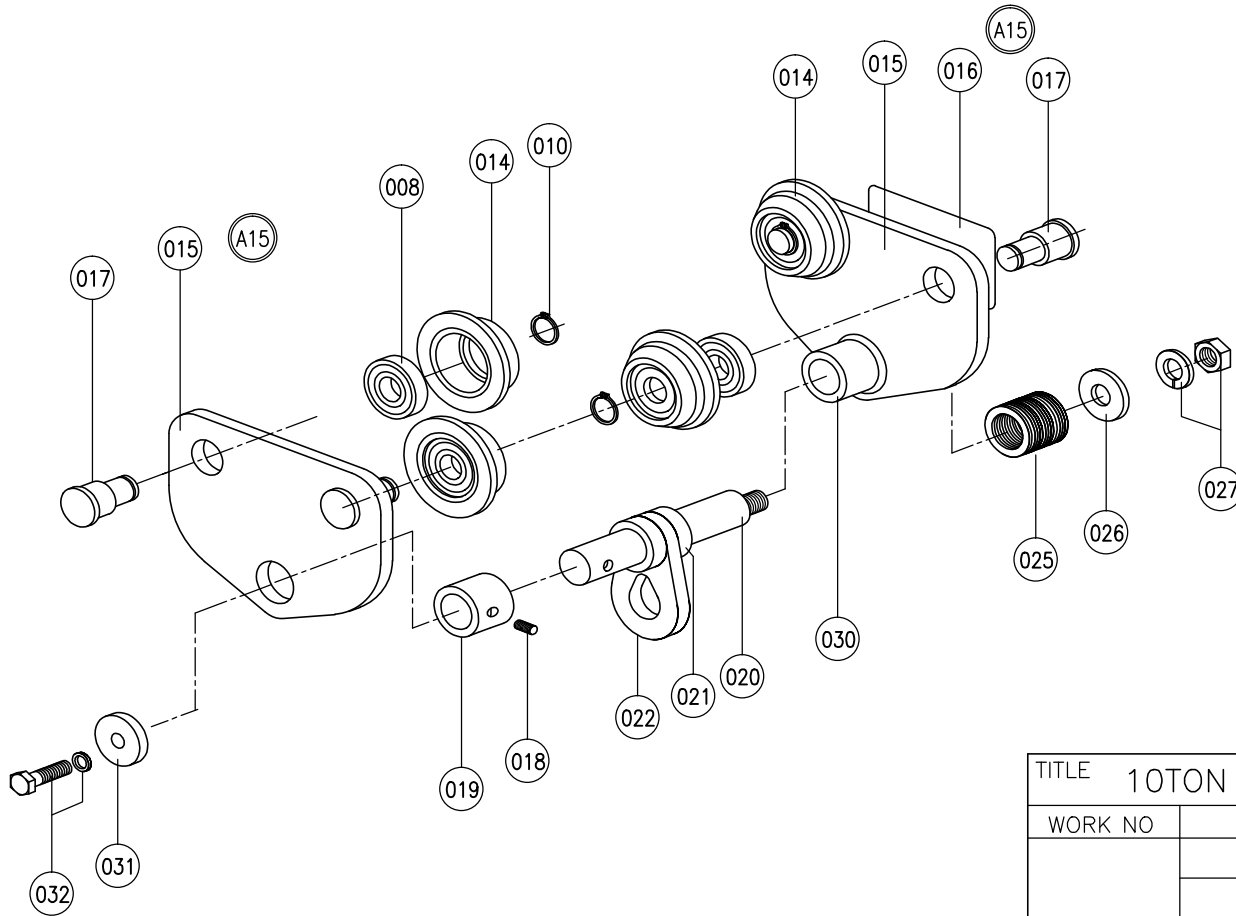


021	RING	2			NO	DESCRIPTION	Q' TY	WT (kg)	REMARKS
022	CENTER PLATE	1			008	BALL BEARING	4		6206ZZ
025	ADJUST WASHER	16			010	SNAP RING	4		S30
026	SIDE WASHER	1			014	ROLLER	4		
027	HEX NUT S/W	1	M30		015	SIDE PLATE 1	2		
030	BRACKET B	1			016	NAME PLATE	1		
031	SIDE WASHER	1			017	P-STUD	4		
032	HEX BOLT S/W	1	M16x30		018	SET SCREW	1		M12x25
ASSEMBLY					019	BRACKET A	1		
A15	SIDE PLATE 1 ASSY	1		015,017,030	020	STAY	1		



TITLE 10TON PLAIN TROLLEY				PROJECTION	
WORK NO		WORK NAME			
				SCALE	Q'TY
				N S	1
DRAWN	CHECKED	REVIEWED	APPROVED	DRAWING NO	
H.J	-	LEE	Y. K	DP100T002	
2013.01.03	-	2013.01.03	2013.01.03		

REV.NO	DATE	REVISION DESCRIPTION	DRAWN	CHECKED	APPROVED

DAESAN INoTEC INC