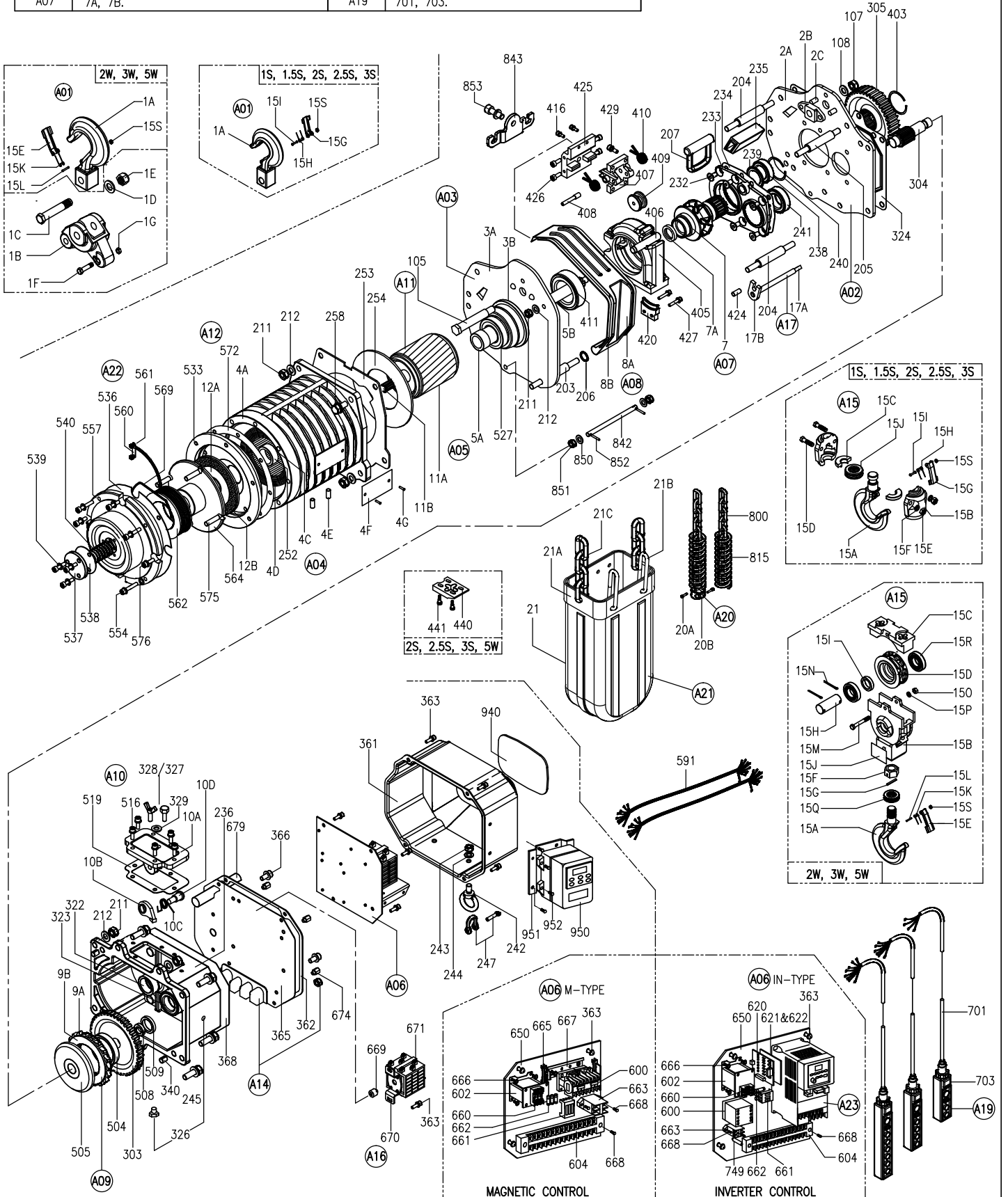
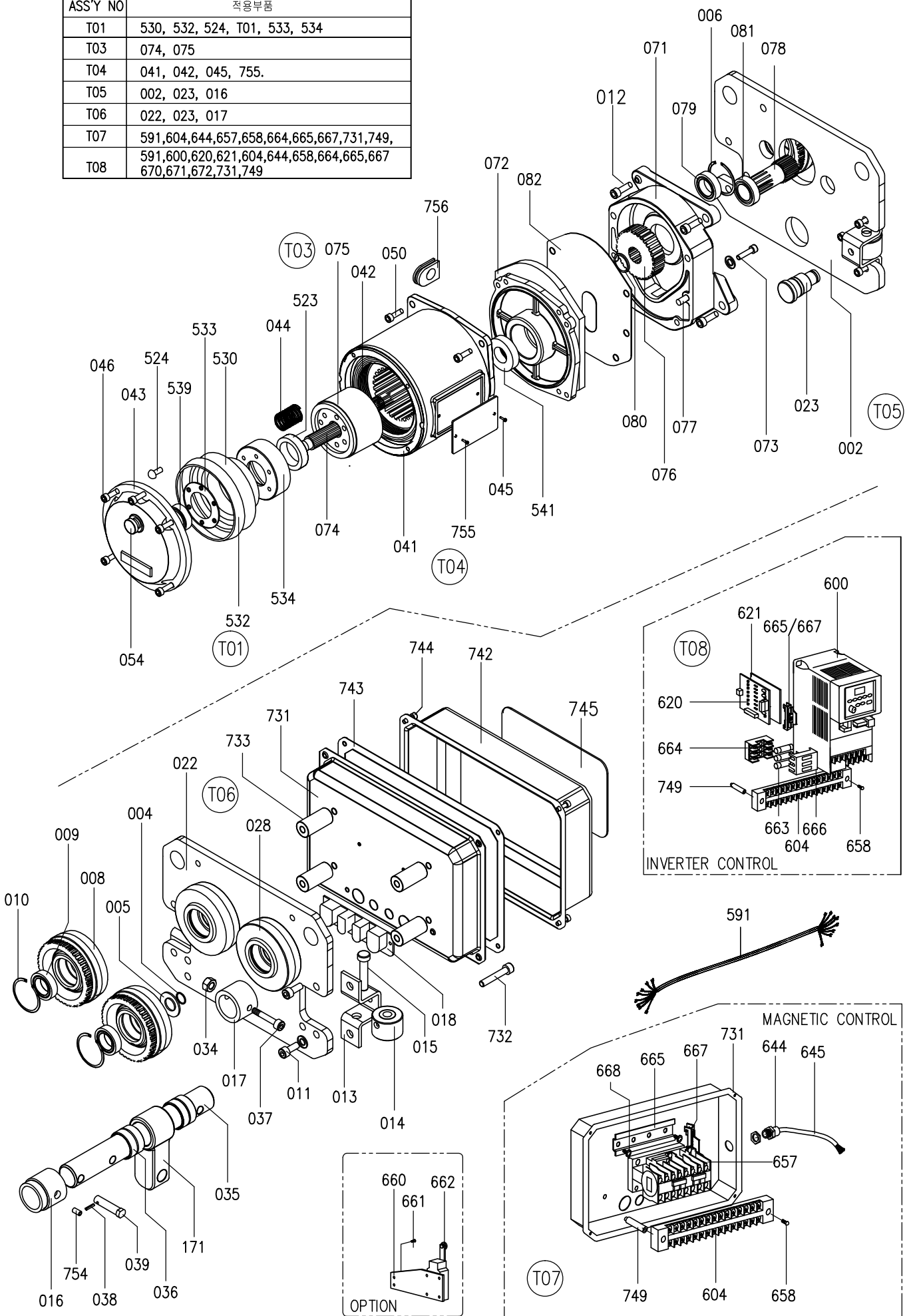


ASS'Y NO	적용부품	ASS'Y NO	적용부품	ASS'Y NO	적용부품
A01	1A, 15C, 15H, 15I, 15S	A08	8A, 8B.	A20	20A, 20B.
A02	2A, 2B, 2C	A09	9A, 9B.	A21	21, 21A, 21B.
A03	3A, 3B, 2B, 2C	A10	10A, 10B, 10C, 10D.	A22	A22, 562.
A04	4A, 4C, 4D, 4E, 4F, 4G, 4H.	A11	11A, 11B.	A15	W-TYPE
A05	5A, 5B.	A12	12A, 12B		15A, 15B, 15C, 15D, 15E, 15F, 15G, 15H, 15I, 15J, 15K 15L, 15M, 15N, 15O, 15P, 15Q, 15R, 15S.
A06	A16, 600, 602, 604, 650, 660, 661,	A14	A14		
M-TYPE	662, 663, 665, 666, 667, 668.	A15	15A, 15B, 15C, 15D, 15E, 15F, 15G, 15H, 15I, 15J, 15S		
A06	A16, A23, 600, 602, 604, 611, 620, 621,	A16	670, 671.		
IN-TYPE	650, 660, 661, 662, 663, 666, 658, 749.	A17	17A, 17B.		
A07	7A, 7B.	A19	701, 703.		



ASS'Y NO	적용부품
T01	530, 532, 524, T01, 533, 534
T03	074, 075
T04	041, 042, 045, 755.
T05	002, 023, 016
T06	022, 023, 017
T07	591,604,644,657,658,664,665,667,731,749,
T08	591,600,620,621,604,644,658,664,665,667 670,671,672,731,749



6.2. PART LIST

254	PLATE FOR LOCATING	1								
258	HEX BOLT S/W	0/1	N/A	N/A	M12x25					
303	2ND GEAR	1								
304	3RD GEAR	1								
305	4TH GEAR	1								
322	BALL BEARING 4	1	6301ZZ		6303ZZ					
323	BALL BEARING 5	1	6203ZZ		6305ZZ					
324	PACKING GEAR CASE	1								
326	OIL PLUG	2	M10x15							
327	OIL PLUG(나비 볼트)	1	M10x15							
328	AIR HOLE BOLT	1	M10x15							
329	O RING	1	P9							
340	SPRING PIN	2	10x12							
361	ELECTRIC COMPONENT CASE	1								
362	PACKING COMPONENT CASE	1								
363	HEX BOLT W/CROSS HOLE	4	M6x12							
365	ELECTRIC COMPONENT BOARD	1								
366	BOLT W/HEX HOLE S/W	4	M6x20		M8x20					
368	ADIABATIC PACKING	1								
369	LEAD WIRE	1								
403	SNAP RING	1	S40		S50					
405	CHAIN GUIDE	1								
406	ANTI-ROTATION PIN	1								
407	ROLLER BOARD	1								
408	ROLLER PIN	1								
409	ROLLER	1								
410	INTERMEDIATE STICK SPRING	2								
411	BALL BEARING	1	6008ZZ		6210ZZ					
416	BOLT W/HEX HOLE S/W	2	M5x15							
420	STRIPPER	1								
424	CORRUGATED SPRING PIN	1	8x15							
425	HOLDING BOARD FOR SPRING	1								
426	BOLT W/HEX HOLE	4	M6x12		M8x12					
427	BOLT W/HEX HOLE S/W	2	M5x25		M6x35					
429	BOLT W/HEX HOLE S/W	4	M6x20							
440	CHAIN GUIDE STOPPER	1	N/A	N/A	N/A				N/A	
441	HEX WRENCH BOLT	4	N/A	N/A	N/A				N/A	
504	BUSH FOR RATCHET GEAR	1								
505	DISC HUB	1								
508	SPLIT RING	2								
509	STOPPER RING	1								
516	BOLT W/HEX HOLE S/W	6	M6x20		M8x25					

6.2. PART LI ST

519	PACKING PAWL COVER	1								
527	BALL BEARING 6	1	6206ZZ		6008ZZ					
533	BEARING SUPPORT	1								
536	PACKING BRAKE STATOR	1								
537	SPRING COVER	1								
538	PACKING SPRING COVER	1								
539	BOLT W/HEX HOLE S/W	3	M6x20							
540	BRAKE SPRING	1								
554	BOLT W/HEX HOLE S/W	4	M6x20		M8x20					
557	BRAKE STATOR	1								
560	CORD PRESSING METAL	1								
561	MACHINE SCREW S/W	2	M4x8							
562	BRAKE COIL BOBIN	1								
564	MOVING CORE	1								
569	SNAP RING	1								
572	PACKING BEARING SUPPORT	1								
575	CORRUGATED SPRING PIN	4/6	8x33		10x36					
576	BOLT W/HEX HOLE S/W	4	M6x35		M8x35					
591	POWER CABLE	1								
600	MAGNETIC CONNECTOR	2								
602	TRANSFORMER	1								
604	TERMINAL BLOCK	1								
650	ELECTRIC EQUIPMENT BOARD	1								
660	FUSE HOLDER	1								
661	FUSE COVER	1								
662	FUSE	3								
663	DPM(RECTIFIIER)	1								
665	CHANNEL STOPPER	1								
666	MACHINE SCREW S/W. P/W	6	M4x8							
667	CHANNEL	1								
668	MACHINE SCREW S/W.	4	M4x15							
669	JOINT PIPE	1								
670	LIMIT SWITCH BOARD	1								
671	LIMIT SWITCH	1								
674	HEX STAY PIN	4								
679	GLASS TUBE	1								
695	BOLT W/HEX HOLE S/W	4	M6x20		M8x20					
701	PUSH BUTTON CORD	1								
703	PUSH BUTTON	1			M8x20					
800	LOAD CHAIN		7.1x21		9.5x28.6	11.2x34				
815	STOPPER SPRING	1								
842	CHAIN BAG SUPPORT PIN	1								

6.2. PART LIST

843	CHAIN BAG SUPPORT METAL	1								
850	PLAIN WASHER	2	M8		M10					
851	HEX NUT	2	M8		M10					
852	COTTER PIN	2	3x20		3x20					
853	BOLT W/HEX HOLE S/W	1	M10x20							
940	NAME PLATE	1								
950	LOAD LIMITER	1								
951	LOAD LIMITER BOARD	1								
952	MACHINE SCREW S/W	2	M5x15							
INVERTER TYPE										
620	INTERFACE	1								
621	INTERFACE BOARD	1								
622	INVERTER BOARD	1			NA	NA	NA	NA	NA	NA
749	HEX STAY PIN	2	NA	NA						
A23	INVERTER	1								
1S, 1.5S, 2S, 2.5S,3S										
A01	TOP HOOK ASS'Y	1		NA					NA	NA
1A	TOP HOOK	1		NA					NA	NA
15G	SAFETY LATCH	1		NA					NA	NA
15H	SAFETY LATCH SPRING	1		NA					NA	NA
15I	HEX WRENCH BOLT	1	M6x30	NA	M4x30				NA	NA
15S	U-NUT	1	M6	NA	M4				NA	NA
2W, 3W, 5W										
A01	TOP HOOK ASS'Y	1	NA		NA	NA	NA			
1A	TOP HOOK	1	NA		NA	NA	NA			
1B	ARM	1	NA		NA	NA	NA			
1C	CONNECTING BOLT	1	NA		NA	NA	NA			
1D	PLAIN WASHER	1	NA		NA	NA	NA			
1E	U-NUT	1	NA		NA	NA	NA			
1F	HEX BOLT	1	NA		NA	NA	NA			
1G	U-NUT	1	NA		NA	NA	NA			
15E	SAFETY LATCH	1	NA		NA	NA	NA			
15K	SAFETY LATCH SPRING	1	NA		NA	NA	NA			
15L	HEX WRENCH BOLT	1	NA		NA	NA	NA			
15S	U-NUT	1	NA		NA	NA	NA			
1S, 1.5S, 2S, 2.5S,3S										
A15	BOTTOM HOOK ASS'Y	1		NA					NA	NA
15A	BOTTOM HOOK	1		NA					NA	NA
15B	BOTTOM HOOK COVER	2		NA					NA	NA
15C	SPLIT RING	2		NA					NA	NA
15D	HEX BOLT	2		NA					NA	NA
15E	HEX NUT	2		NA					NA	NA

6.2. PART LIST

15F	SPRING WASHER	2		NA					NA	NA
15G	SAFETY LATCH	1		NA					NA	NA
15H	SAFETY LATCH SPRING	1		NA					NA	NA
15I	HEX WRENCH BOLT	1	M6x30	NA	M4x30				NA	NA
15J	THRUST BEARING	1	51104	NA	51105	51206			NA	NA
15S	U-NUT	1	M6	NA	M4				NA	NA
2W, 3W, 5W										
A15	BOTTOM HOOK ASS'Y	1	NA		NA	NA	NA			
15A	BOTTOM HOOK	1	NA		NA	NA	NA			
15B	BOTTOM HOOK COVER	1	NA		NA	NA	NA			
15C	BOTTOM HOOK CHAIN GUIDE	1	NA		NA	NA	NA			
15D	IDLE SHEAVE	1	NA		NA	NA	NA			
15E	SAFETY LATCH	1	NA		NA	NA	NA			
15F	BOTTOM HOOK NUT	1	NA	M20	NA	NA	NA		M27	M33
15G	SPRING PIN	1	NA	4x35	NA	NA	NA		5x40	6x60
15H	IDLE SHEAVE PIN	1	NA		NA	NA	NA			
15I	IDLE SHEAVE COLLAR	1	NA		NA	NA	NA			
15J	HOOK NAME PLATE	2	NA		NA	NA	NA			
15K	SAFETY LATCH SPRING	1	NA		NA	NA	NA			
15L	SAEFTY LATCH PIN	1	NA	M4x30	NA	NA	NA		M4x30	M4x30
15M	HEX BOLT	1	NA	M8x70	NA	NA	NA		M10x85	M12x90
15N	COTTER PIN	2	NA		NA	NA	NA			
15O	HEX NUT	1	NA	M8	NA	NA	NA		M10	M12
15P	SPRING WASHER	1	NA	M8	NA	NA	NA		M10	M12
15Q	THRUST BEARING	1	NA	51205	NA	NA	NA		51206	51207
15R	ROLLER BEARING	2	NA	NF204	NA	NA	NA		NF206	NF208
15S	U-NUT	1	NA	M4	NA	NA	NA		M4	M4

TROLLEY 공용부품

품 번	품 명	1TON	2TON	3TON	5TON
002	GEAR SIDE PLATE				
004	SNAP RING	S17	S25	S25	S35
005	PLAIN WASHER				
006	SNAP RING	R52			
008	GEAR ROLLER				
009	BALL BEARING	6203ZZ	6205ZZ	6305ZZ	6307ZZ
010	SNAP RING	R47	R52	R62	R80
011	BOLT W/HEX, HOLE S/W	M10x20			
012	BOLT W/HEX, HOLE S/W	M10x30			
013	GUIDE ROLLER BODY				
014	GUIDE ROLLER				
015	GUIDE ROLLER PIN				
016	BRACKET A"				
017	BRACKET B"				
018	CORD HOLDER ASS'Y				
022	PLAIN SIDE PLATE				
023	ROLLER PIN				
028	PLAIN ROLLER				
034	U NUT	M10	M10	M12	M14
035	SHAFT				
036	ADJUSTING COLLAR				
037	STOPPER BOLT(WRENCH BOLT)	M10x60	M10x75	M12x80	M14x110
038	COTTER PIN	3x25		4x40	
039	STOPPER PIN				
041	MOTOR CASE				
042	STATOR ASS'Y				
043	BRAKE COVER				
044	BRAKE SPRING				
045	NAME PLATE				
046	BOLT W/HEX, HOLE S/W	M6x20			
050	BOLT W/HEX, HOLE S/W	M8x25			
054	COVER PLUG				
071	GEAR CASE				
072	FLANGE				
073	BOLT W/HEX, HOLE S/W	M8x50			
074	ROTOR SHAFT				
075	ROTOR				
076	2'ND GEAR				
077	SPRING PIN				
078	3RD GEAR				
079	BALL BEARING	6205ZZ			
080	SNAP RING				
081	COLLAR FOR 3RD GEAR				
082	PACKING FLANGE				
171	CONNECTOR				
523	BUMPER RUBBER				
524	RIVET				
530	BRAKE DISC				
532	BRAKE LINING				
533	SUPPORT PLATE				
534	MOVING CORE				
539	BALL BEARING	6202DD			
541	BALL BEARING	6204ZZ			
591	POWER CORD				
604	TERMINAL BLOCK				
644	CABLE HOLDER				
645	MOTOR CABLE				

TROLLEY 공용부품

657	MAGNETIC SWITCH				
658	MACHINE SCREW S/W	M4x12			
660	LIMIT SWITCH BOARD				
661	HEX WRENCH BOLT S/W	M6x15			
662	LIMIT SWITCH				
663	FUSE				
664	FUSE HOLDER				
665	CHANNEL				
666	FUSE HOLDER COVER				
667	CHANNEL STOPPER				
668	MACHINE SCREW S/W, P/W	M4x8			
731	CONTROL BOX				
732	BOLT W/HEX, HOLE	M8x60			
733	SUPPORT BAR				
742	CONTROL BOX COVER				
743	CONTROL BOX COVER PACKING				
744	MACHINE SCREW	M5x12			
745	NAME PLATE				
749	HEX STAY PIN				
754	SET SCREW	M8x15		M10x10	M12x20
755	RIVET				
756	LEAD PACKING				
T01	BRAKE DISC ASS'Y				
T03	ROTOR ASS'Y				
T04	MOTOR ASS'Y				
T05	GEAR SIDE PLATE ASS'Y				
T06	PLAIN SIDE ASS'Y				
T07	ELECTRIC EQUIPMENT ASS'Y(M)				