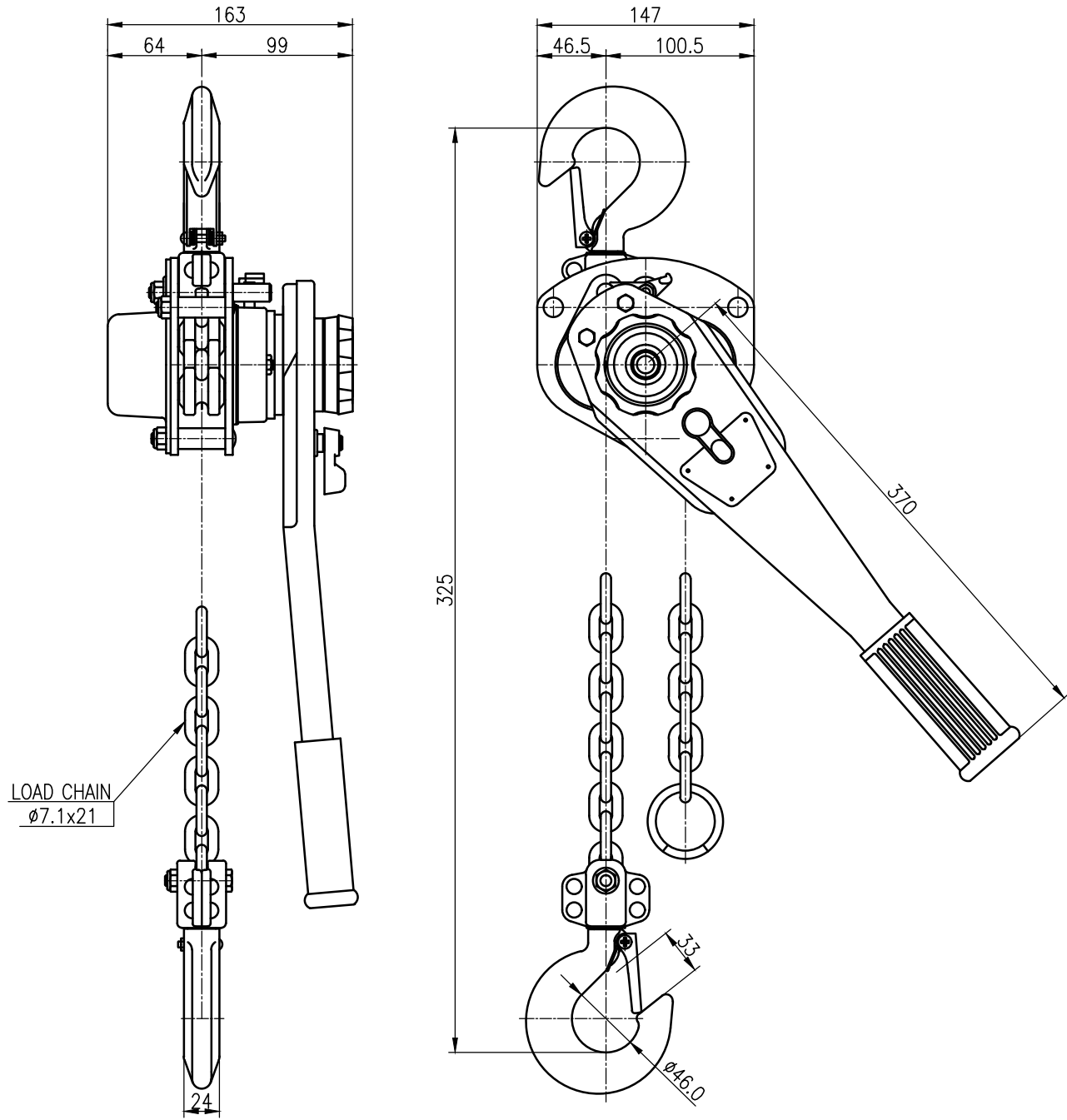


NO	DESCRIPTION	MAT'L	Q'TY	WT(kg)	REMARKS



SPECIFICATION	
HOISTING LOAD	1.5 TON
TESTING LOAD	2.25 TON
LIFTING HEIGHT	1.5 M
HOISTING	MANUAL
WEIGHT	11 kg
LOAD CHAIN	ø7.1x21

TITLE <b>D1-1.5TON LEVER BLOCK</b>				PROJECTION	
WORK NO		WORK NAME			
				SCALE	Q'TY
				1/1.4	1
DRAWN	CHECKED	REVIEWED	APPROVED	DRAWING NO	
YOO.M.R		LEE. H.J	Y.K	DSD101501	
2012.12.10		2012.12.10	2012.12.10		
<b>DAESAN INoTEC INC</b>					

REV.NO	DATE	REVISION DESCRIPTION	DRAWN	CHECKED	APPROVED