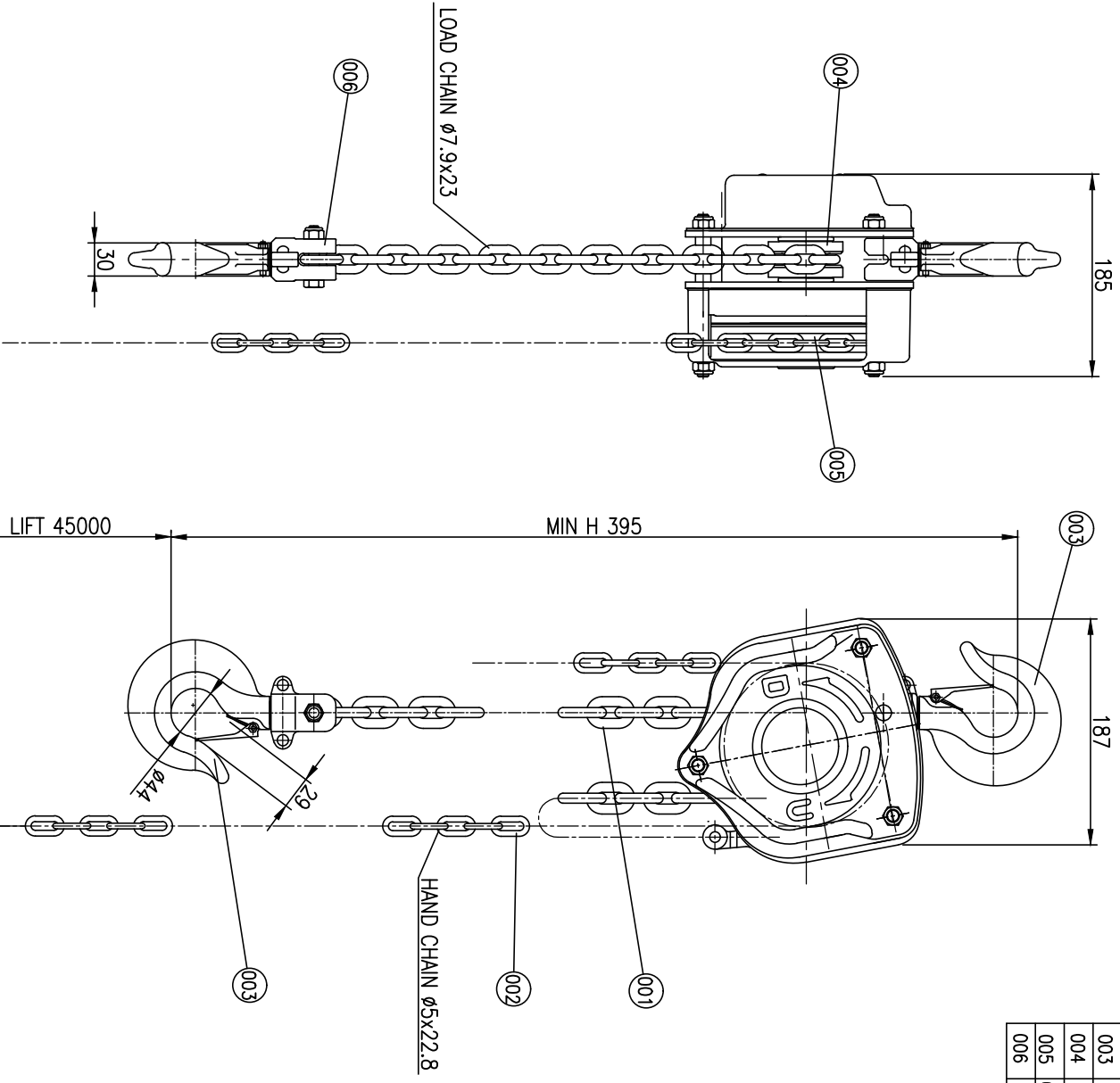


NO	DESCRIPTION	MAT'L	Q'TY	WT(kg)	REMARKS
001	LOAD CHAIN(ELECTROLESS NI PLATING)	MN-B(Steel)	6M		
002	HAND CHAIN	SUS304	5M		
003	HOOK	HB8C4	1		
004	LOAD SHEAVE(ELECTROLESS NI PLATING)	FDD45	1		
005	CHAIN WHEEL (ELECTROLESS NI PLATING)	FDD45	1		
006	HOOK COVER (ELECTROLESS NI PLATING)	ZG 25	2		



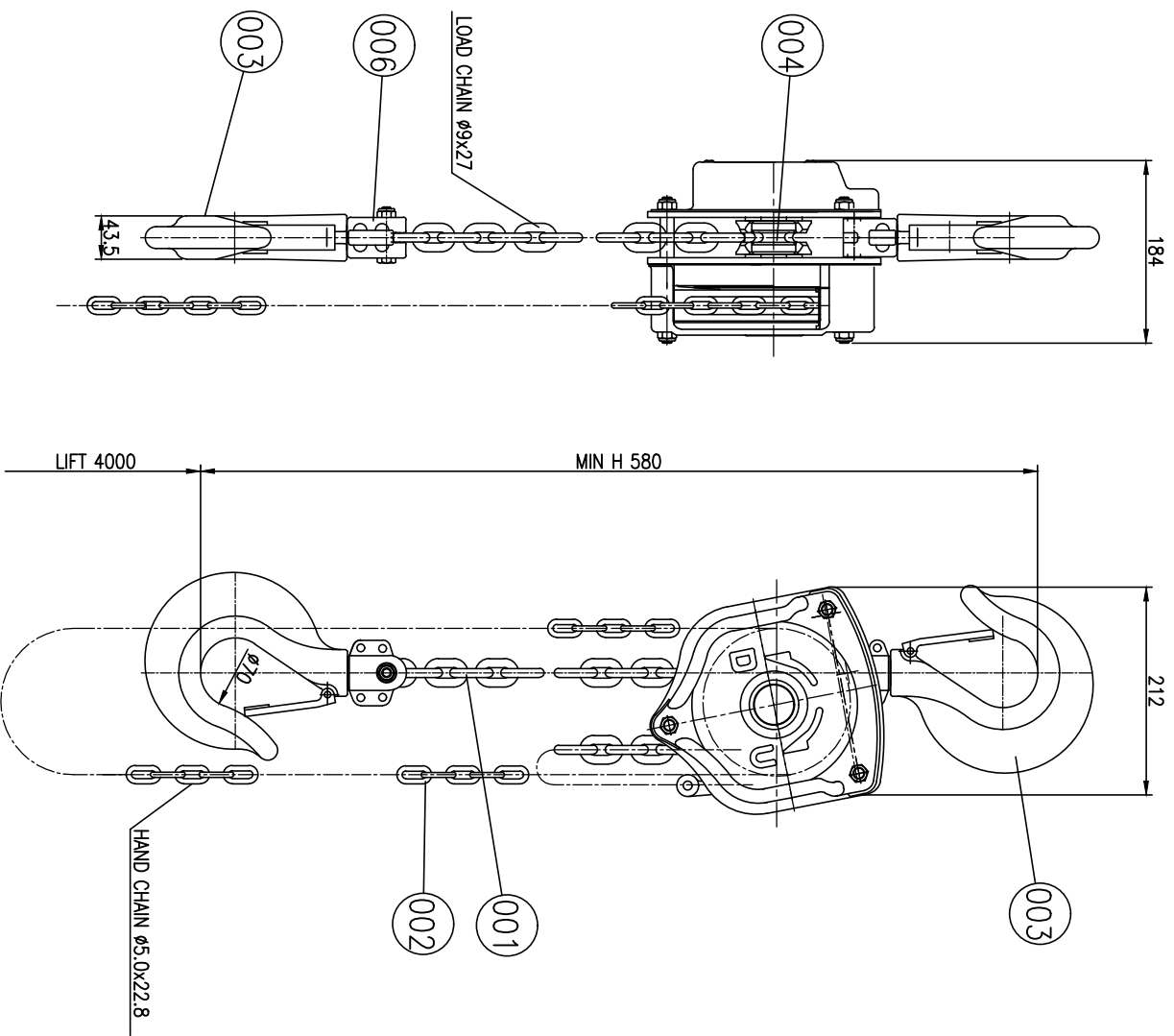
SPECIFICATION	
HOISTING LOAD	2 TON
TESTING LOAD	2.5 TON
LIFTING HEIGHT	3 M
HOISTING	MANUAL
WEIGHT	22 kg
LOAD CHAIN	ø7.9x23

REV.NO	DATE	REVISION DESCRIPTION	DRAWN	CHECKED	APPROVED

TITLE		EXDSN-2TON CHAIN BLOCK		PROJECTION	
WORK NO		WORK NAME		SCALE	
DRAWN		CHECKED		Q'TY	
YOO.M.R		LEE.H.J		1/2	
2012.05.30		2012.06.08		1	
DRAWN		REVIEWED		APPROVED	
YOO.M.R		LEE.H.J		Y.K	
2012.05.30		2012.06.08		2012.06.08	
DRAWING NO		EDSN020001			

**DAESAN INOTEC INC**

NO	DESCRIPTION	MAT'L	Q'TY	WT(kg)	REMARKS
001	LOAD CHAIN	SUS316L	4M		
002	HAND CHAIN	SUS304	4M		
003	HOOK	HB8C4	1		
004	LOAD SHEAVE(ELECTROLESS NI PLATING)	FDD45	1		
006	HOOK COVER(ELECTROLESS NI PLATING)	ZG 25	2		



SPECIFICATION	
HOISTING LOAD	2 TON
TESTING LOAD	2.5 TON
LIFTING HEIGHT	4 M
HOISTING	MANUAL
WEIGHT	32 kg
LOAD CHAIN	φ9x27

REV.NO	DATE	REVISION DESCRIPTION	DRAWN	CHECKED	APPROVED

TITLE		EXDSN-2TON CHAIN BLOCK		PROJECTION	
WORK NO	WORK NAME	SCALE		Q'TY	
		1/2		1	
DRAWN	CHECKED	REVIEWED	APPROVED	DRAWING NO	
H.J		LEE	Y.K	EDSN020001	
2019.06.20		2019.06.20	2019.06.20		

**DAESAN INOTEC INC**