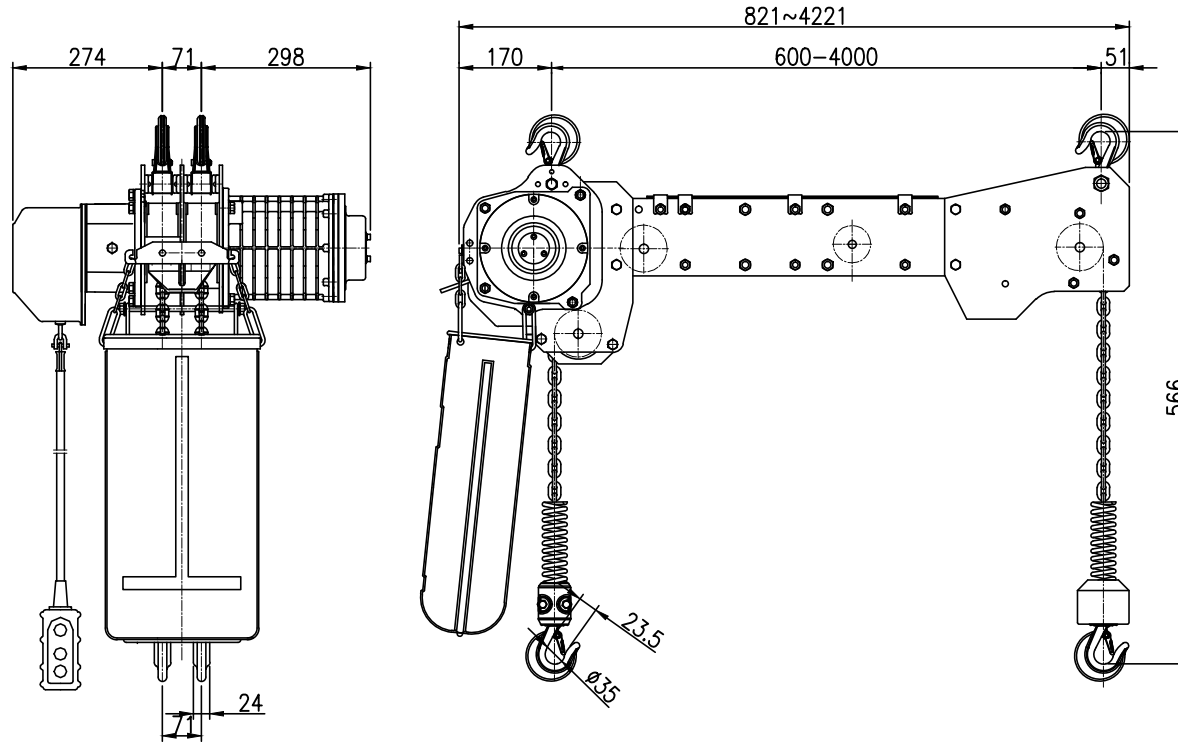


NO	DESCRIPTION	MAT'L	Q'TY	WT(kg)	REMARKS



SPECIFICATION	
HOISTING LOAD	1 TON
TESTING LOAD	1.25 TON
LIFTING HEIGHT	4 M
HOISTING MOTOR	SPEED 6.8/8.2 M/MIN
	1.8 KW x 4P x 1 SET
POWER SUPPLY	AC 220,380,440,480 x 3φ x 50/60 Hz
OPERATING METHOD	P.B type ON . FL

TITLE DSDHA-1S CHAIN HOIST				PROJECTION	
WORK NO		WORK NAME			
				SCALE	Q'TY
				1/1	1
DRAWN	CHECKED	REVIEWED	APPROVED	DRAWING NO	
H.J	-	LEE	Y.K	DSDHA010S1	
2020.09.15	-	2020.09.15	2020.09.15		

도면에 지시되지 않은 일반공차					
치수	3-6	6-30	30-120	120-315	315-1000
가공별					
선					
구멍간 거리	±0.1	±0.2	±0.3	±0.5	±0.8

REV.NO	DATE	REVISION DESCRIPTION	DRAWN	CHECKED	APPROVED

DAESAN INoTEC INC