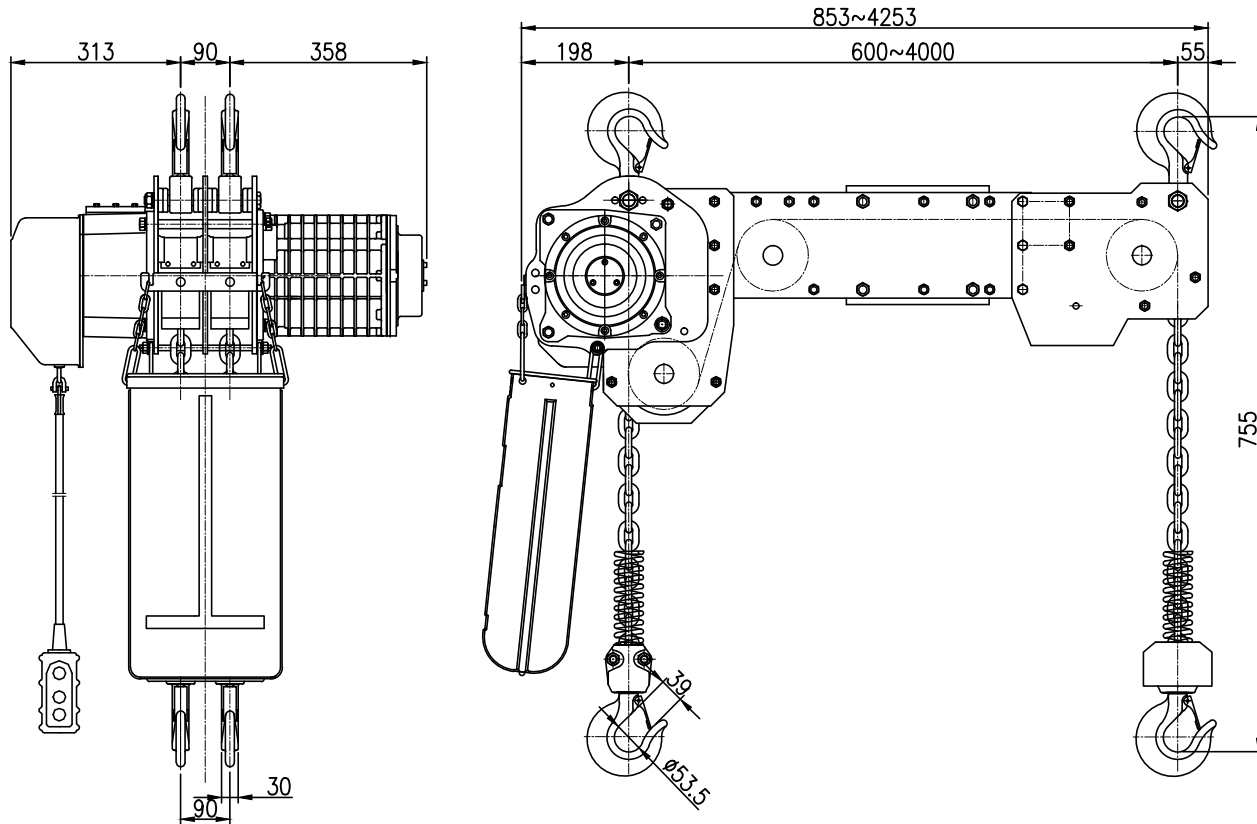


NO	DESCRIPTION	MAT'L	Q'TY	WT(kg)	REMARKS



SPECIFICATION		
HOISTING LOAD	2	TON
TESTING LOAD	2.5	TON
LIFTING HEIGHT	4	M
HOISTING	SPEED	6.7/8.1 M/MIN
	MOTOR	3.5 KW x 4P x1 SET
POWER SUPPLY	AC 220,380,440,480 x 3ø x 50/60Hz	
OPERATING METHOD	P.B type ON . FL	

TITLE DSDHA-2S CHAIN HOIST				PROJECTION	
WORK NO				WORK NAME	
				SCALE	Q'TY
				1/1	1
DRAWN	CHECKED	REVIEWED	APPROVED	DRAWING NO	
H.J	-	LEE	Y. K	DSDHA02S01	
2020.09.15	-	2020.09.15	2020.09.15		

도면에 지시되지 않은 일반공차					
치수	3-6	6-30	30-120	120-315	315-1000
가공별					
선					
구멍간 거리	±0.1	±0.2	±0.3	±0.5	±0.8

REV.NO	DATE	REVISION DESCRIPTION	DRAWN	CHECKED	APPROVED

DAESAN INoTEC INC