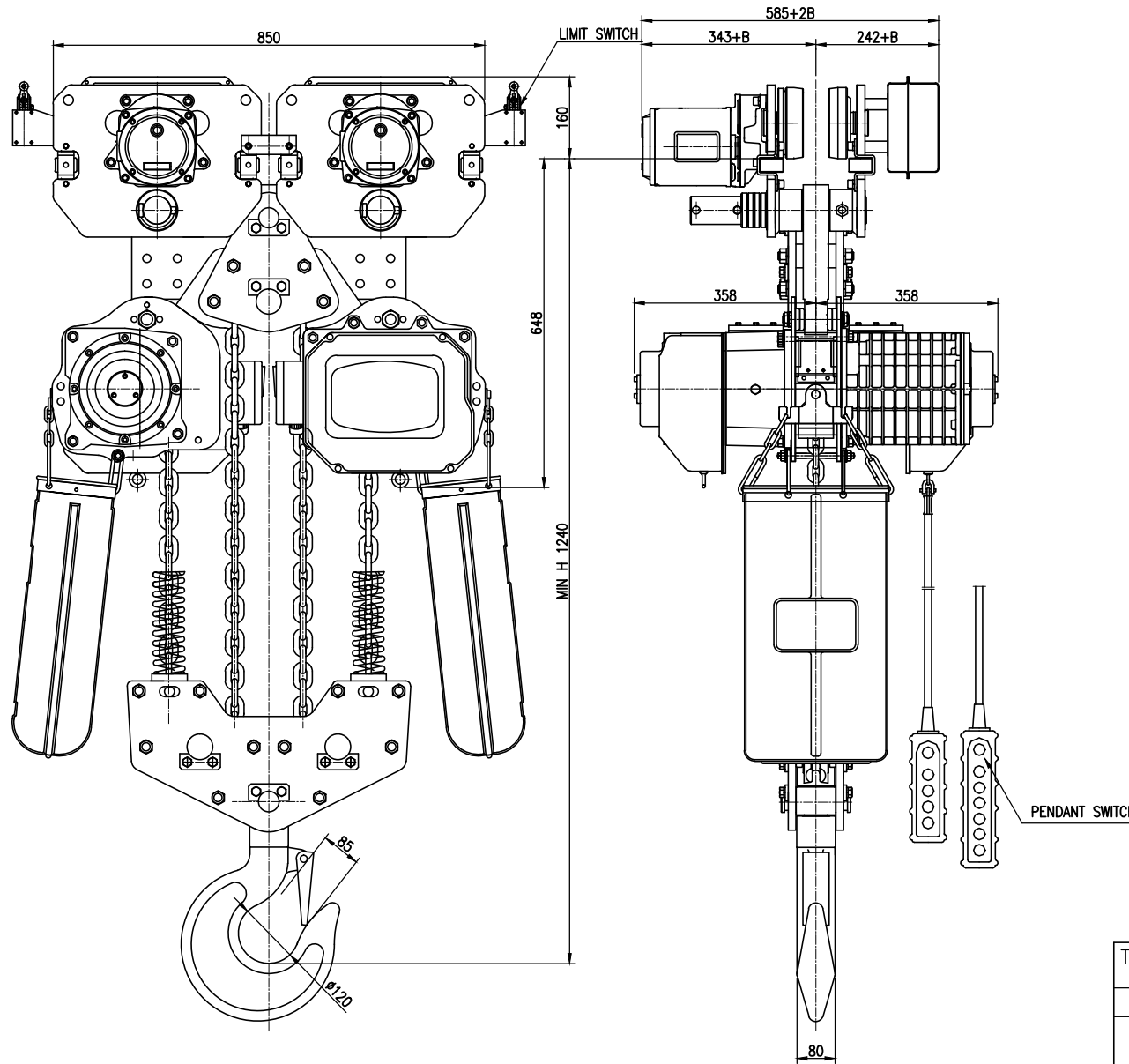


NO	DESCRIPTION	MAT'L	Q'TY	WT(kg)	REMARKS



SPECIFICATION		
HOISTING LOAD	10	TON
TESTING LOAD	12.5	TON
LIFTING HEIGHT	5	M
HOISTING	SPEED	3.25 M/MIN
	MOTOR	3.5 KW x 2 SET
TRAVERSING	SPEED	14 M/MIN
	MOTOR	0.75 KW x 2 SET
POWER SUPPLY	AC 220,380,440. x 3 ϕ x 60 Hz	
OPERATING METHOD	P.B type ON . FL	
WEIGHT	657 KG	

- * β 는 BEAM 변동값임
- * ROLLER DIA : $\phi 140$
- * LIMIT SWITCH : OPTION
- * 본 도면은 1-BEAM 125MM 기준임.

TITLE DSM-10W CHAIN HOIST				PROJECTION	
WORK NO	WORK NAME				
				SCALE	Q'TY
				1/1	1
DRAWN	CHECKED	REVIEWED	APPROVED	DRAWING NO	
H.J		LEE	Y.K	DSM10W001	
2020.09.14		2020.09.14	2020.09.14		

도면에 지시되지 않은 일반공차					
가공별 치수	3-6	6-30	30-120	120-315	315-1000
선삭	±0.1	±0.2	±0.3	±0.5	±0.8
구멍간 거리	±0.1	±0.2	±0.3	±0.5	±0.8

REV.NO	DATE	REVISION DESCRIPTION	DRAWN	CHECKED	APPROVED

DAESAN InoTEC INC