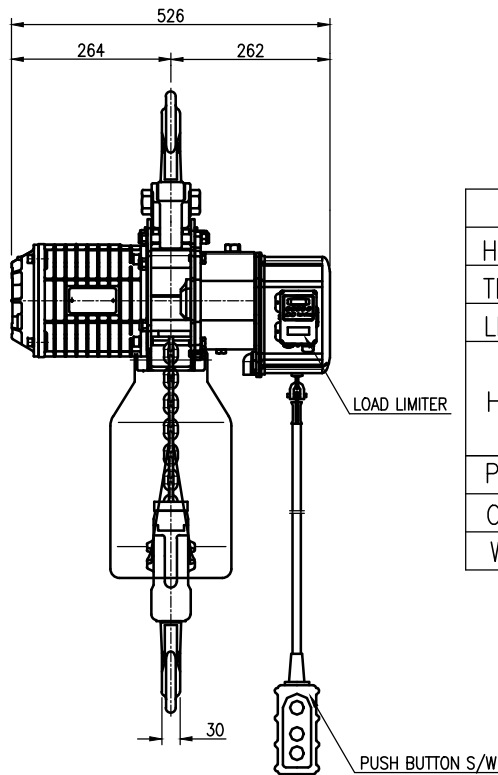
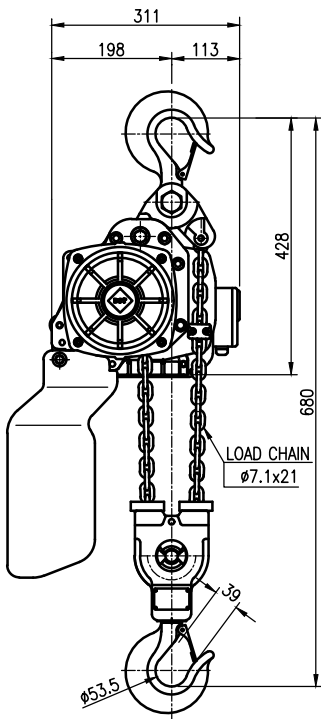


NO	DESCRIPTION	MAT'L	Q'TY	WT(kg)	REMARKS



SPECIFICATION			
HOISTING LOAD	1.9	TON	
TESTING LOAD	2.235	TON	
LIFTING HEIGHT	4	M	
HOISTING	SPEED	50/60Hz	3.4/4.1 M/MIN
		50/60Hz	2.3/2.7 M/MIN
	MOTOR	1.8/1.2 KW x 4/6P x 1 SET	
POWER SUPPLY	AC 220, 380, 440, 460 x 3ø x 50/60 Hz		
OPERATING METHOD	P.B type ON . FL		
WEIGHT	71 KG		

TITLE DST-1.9W CHAIN HOIST				PROJECTION	
WORK NO		WORK NAME			
				SCALE	Q'TY
				1/1	1
DRAWN	CHECKED	REVIEWED	APPROVED	DRAWING NO	
YOO.M.R	-	LEE. H.J	Y.K	DST019W001	
2012.07.11	-	2012.07.11	2012.07.11		
DAESAN InoTEC INC					

REV.NO	DATE	REVISION DESCRIPTION	DRAWN	CHECKED	APPROVED