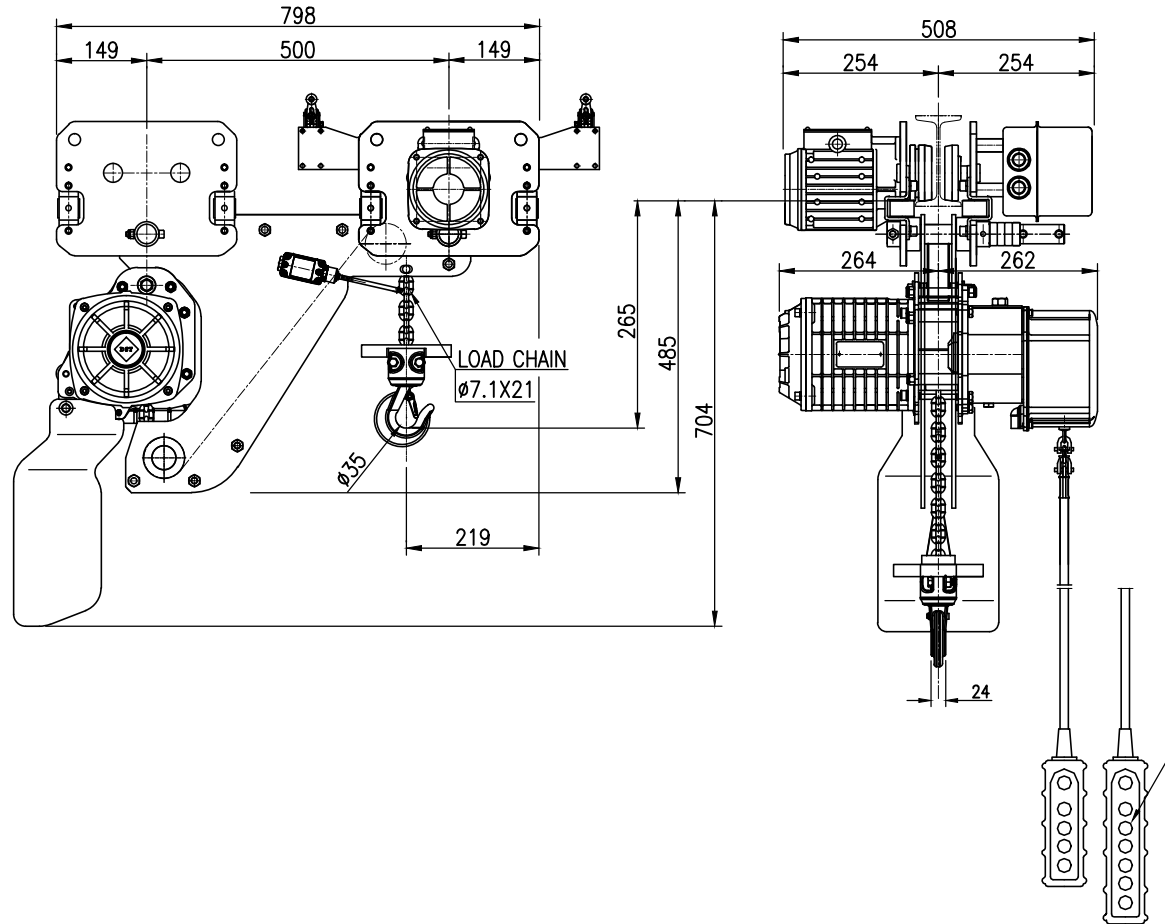


NO	DESCRIPTION	MAT'L	Q'TY	WT(kg)	REMARKS



SPECIFICATION	
HOISTING LOAD	1 TON
TESTING LOAD	1.25 TON
LIFTING HEIGHT	4 M
HOISTING	SPEED 8.2 M/MIN
	MOTOR 1.8 KW x 4P x 1 SET
TRAVERSING	SPEED 16 M/MIN
	MOTOR 0.4 KW x 6P x 1 SET
POWER SUPPLY	AC 220/380,440,480V 3ø x 60 Hz
OPERATING METHOD	P.B type ON . FL
WEIGHT	132 KG
I-BEAM SIZE	75-125

NOTE

- * B는 BEAM 변동치수 치수임.
- * ROLLER DIA : Ø95
- * LIMIT SWITCH : OPTION
- * 본 도면은 I-BEAM 75MM 기준임
- * ADJUSTING COLLAR 내측 0/0 외측 4EA.

TITLE DSTHM-1S CHAIN HOIST				PROJECTION	
WORK NO		WORK NAME			
				SCALE	Q'TY
				1/1	1
DRAWN	CHECKED	REVIEWED	APPROVED	DRAWING NO	
H.J	-	LEE	Y.K	DSTHM0101S	
2022.01.25	-	2022.01.25	2022.01.25		
DAESAN INoTEC INC					

REV.NO	DATE	REVISION DESCRIPTION	DRAWN	CHECKED	APPROVED