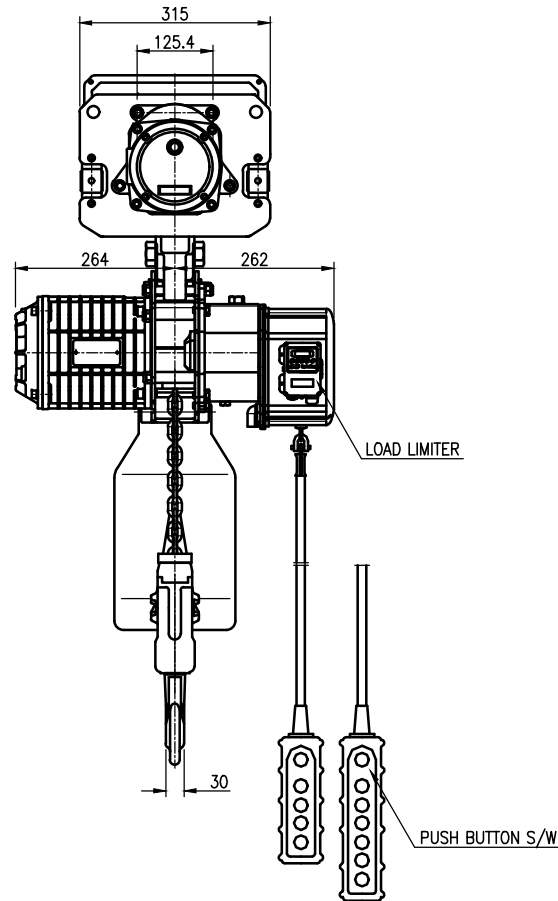
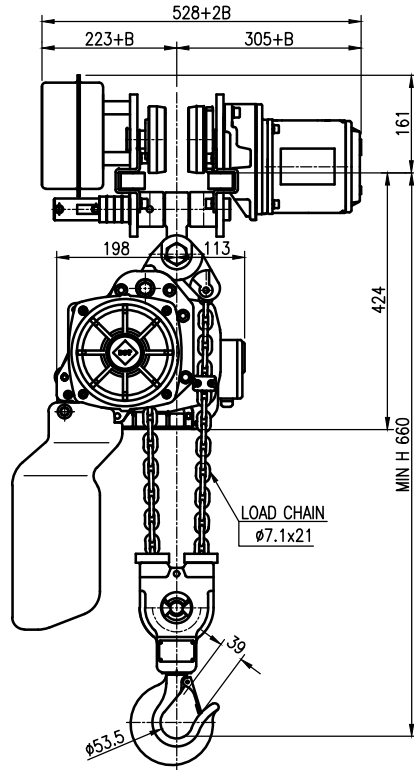


NO	DESCRIPTION	MAT'L	Q'TY	WT(kg)	REMARKS



SPECIFICATION			
HOISTING LOAD	2	TON	
TESTING LOAD	2.5	TON	
LIFTING HEIGHT	4	M	
HOISTING	SPEED	50/60Hz	3.4/4.1 M/MIN
	MOTOR	1.8/1.2 KW x 4/6P x 1 SET	
TRAVERSING	SPEED	12/15 M/MIN	
	MOTOR	0.4 KW x 6P x 1 SET	
POWER SUPPLY	AC 220, 380, 440 x 3ø x 50/60 Hz		
OPERATING METHOD	P.B type ON . FL		
WEIGHT	117 KG		
I-BEAM SIZE	100-150 MM		

\* B 는 BEAM폭에 따라 변동됨

\* ROLLER DIA : ø110

\* LIMIT SWITCH : OPTION

TITLE				DSTM-2W CHAIN HOIST		PROJECTION	
WORK NO		WORK NAME					
		SCALE		Q'TY			
		1/1		1			
DRAWN	CHECKED	REVIEWED	APPROVED	DRAWING NO			
YOO.M.R	-	LEE. H.J	Y,K	DSTM20W001			
2012.07.11	-	2012.07.11	2012.07.11				
<b>DAESAN INoTEC INC</b>							

REV.NO	DATE	REVISION DESCRIPTION	DRAWN	CHECKED	APPROVED