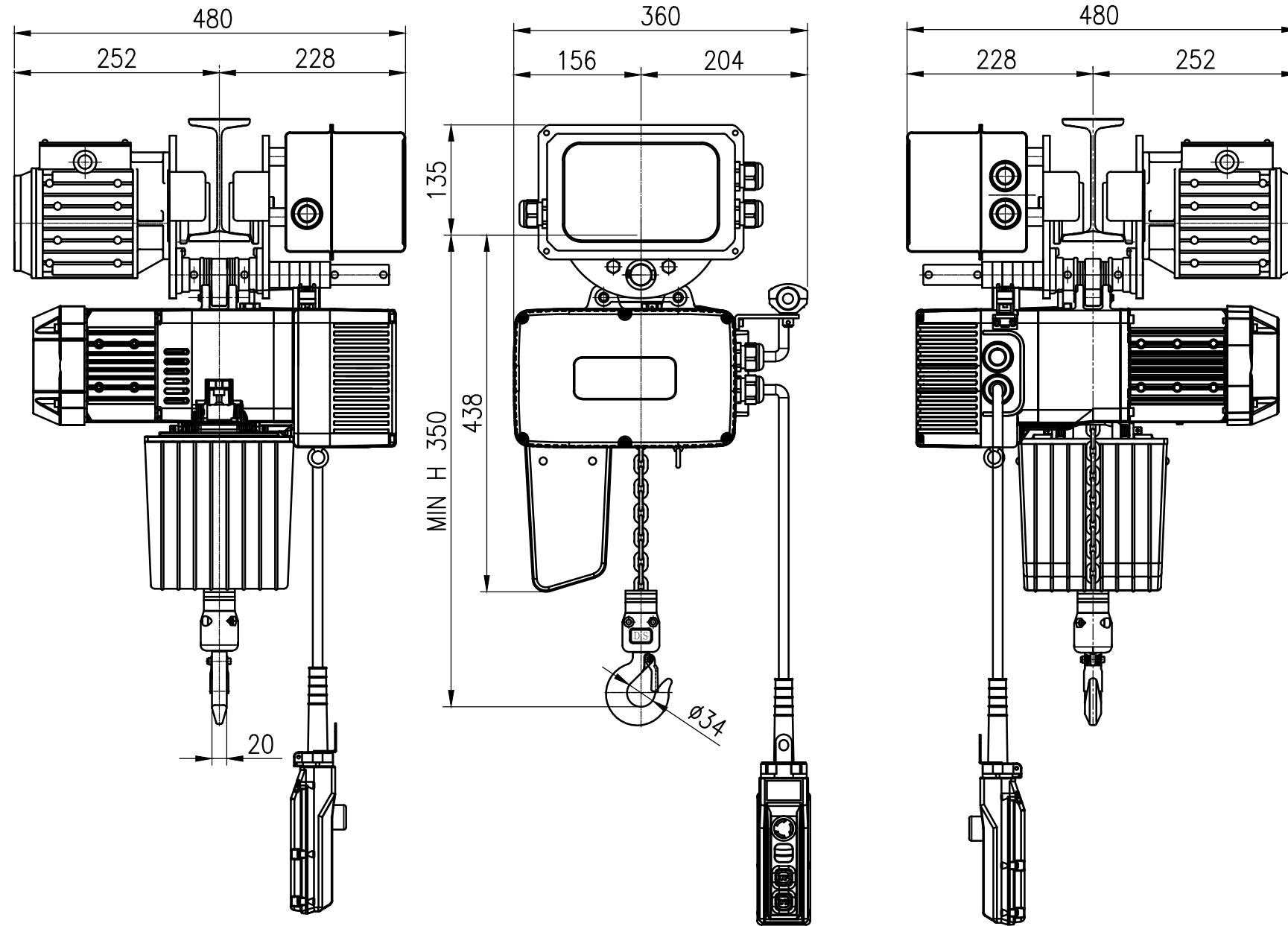


NO	DESCRIPTION	MAT'L	Q'TY	WT(kg)	REMARKS



SPECIFICATION		
HOISTING LOAD	500 KG	
TESTING LOAD	625 KG	
LIFTING HEIGHT	4 M	
HOISTING	SPEED	1.3~7.6 M/MIN 1.1~6.4 M/MIN
	MOTOR	0.75 KW x 4P x 1 SET
TRAVERSING	SPEED	3.5~20.7 M/MIN
	MOTOR	0.4 KW x 4P x 1 SET
POWER SUPPLY	AC 220/380, 440, 480V x 3φ x 60Hz	
	AC 220V x 1φ x 60Hz	
OPERATING METHOD	P.B type ON . FL	
WEIGHT	52.5 KG	
LOAD CHAIN FALL	1	
BEAM WIDTH	75-150 MM	

TITLE EDLM-500KG CHAIN HOIST				PROJECTION	
WORK NO		MODEL NO			
				SCALE	Q'TY
				1/1	1
DRAWN	CHECKED	REVIEWED	APPROVED	MODEL NO	
H.J	-	LEE	Y.K	EDLM-500	
2019.09.25	-	2019.09.25	2019.09.25		
DAESAN INoTEC INC					

REV.NO	DATE	REVISION DESCRIPTION	DRAWN	CHECKED	APPROVED