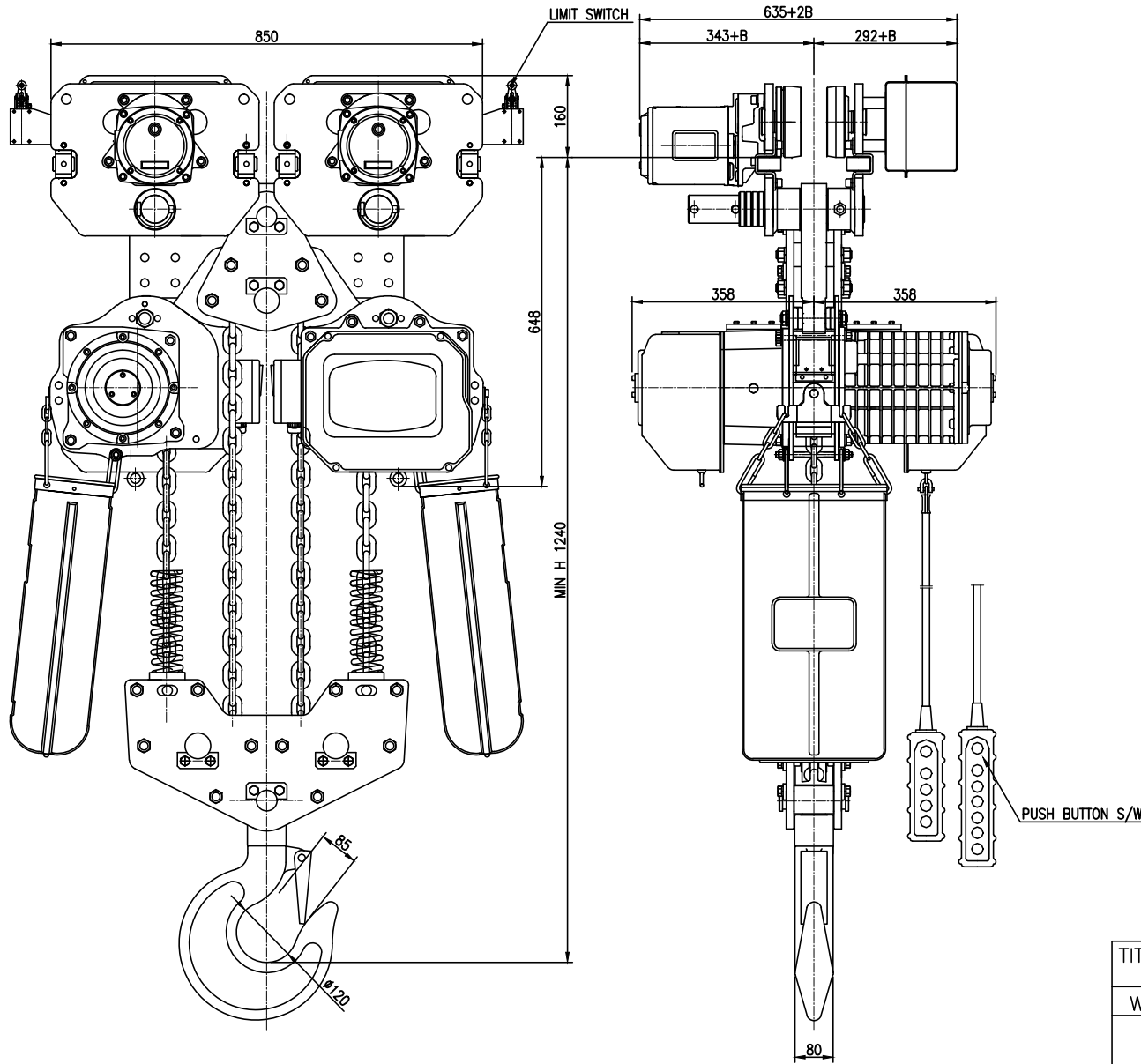


NO	DESCRIPTION	MAT'L	Q'TY	WT(kg)	REMARKS



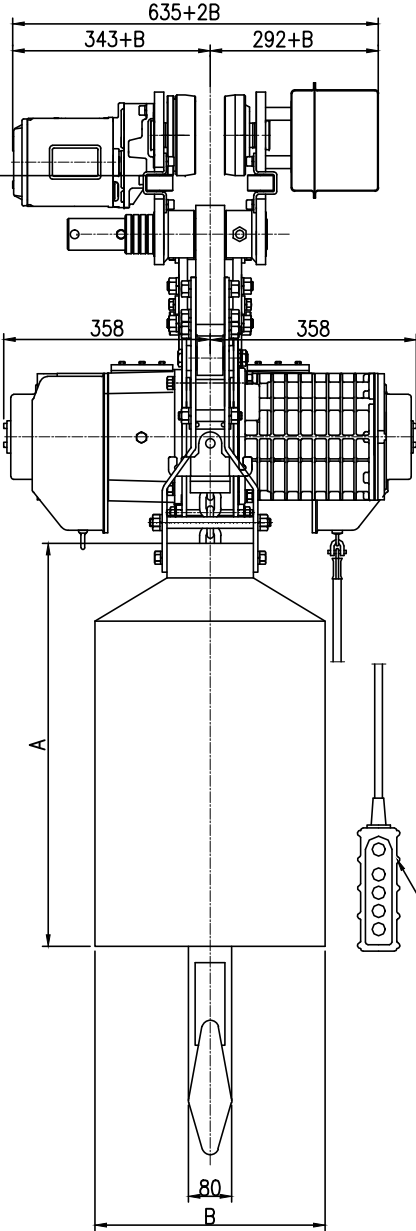
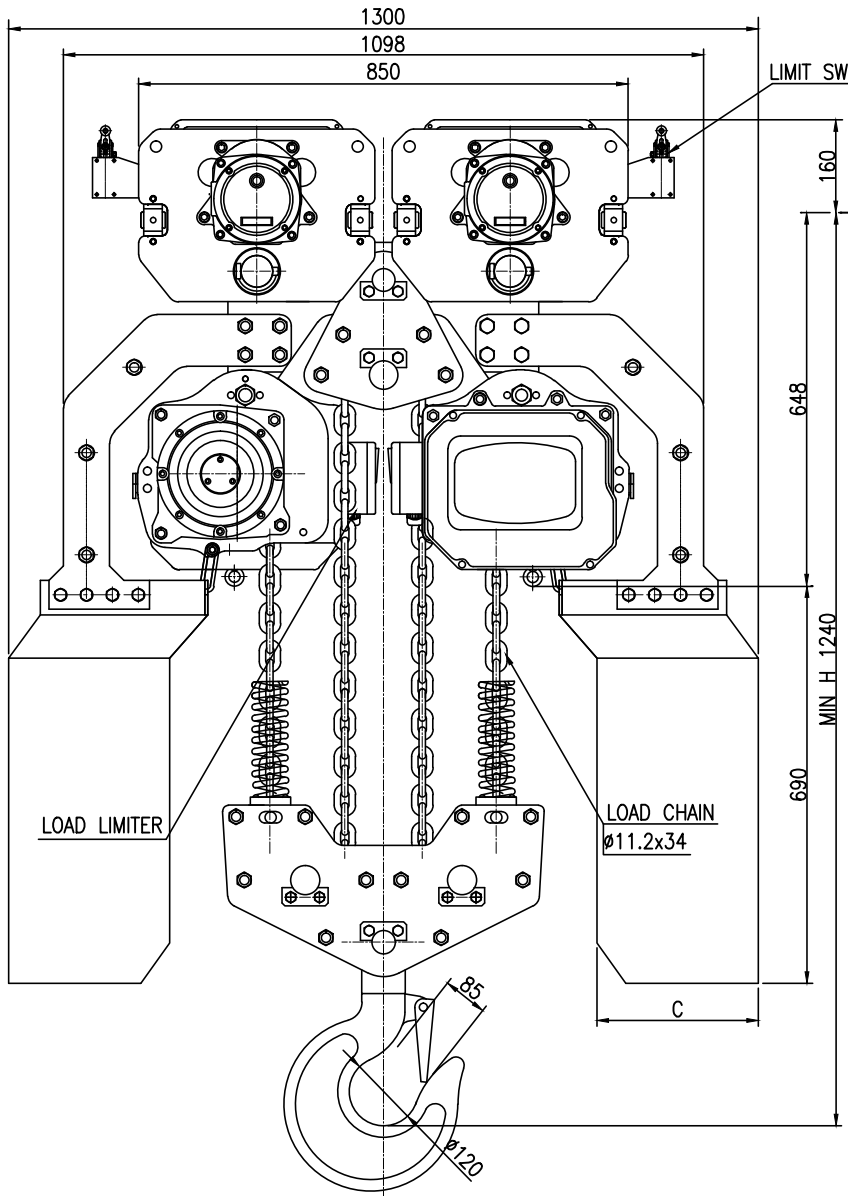
SPECIFICATION		
HOISTING LOAD	10	TON
TESTING LOAD	12.5	TON
LIFTING HEIGHT	5	M
HOISTING	SPEED	1.35-3.25 M/MIN
	MOTOR	3.5 KW x 2 SET
TRAVERSING	SPEED	5.2-15.2 M/MIN
	MOTOR	0.75 KW x 2 SET
POWER SUPPLY	AC 220,380,440. x 3 $\phi$ x 60 Hz	
OPERATING METHOD	P.B type ON . FL	
WEIGHT	663	KG

- \*  $\beta$  는 BEAM 변동값임
- \* ROLLER DIA :  $\phi 140$
- \* LIMIT SWITCH : OPTION
- \* 본 도면은 1-BEAM 125MM 기준임.
- \* 양장 6M 이하 제품 적용

TITLE				PROJECTION	
ED SM-10W CHAIN HOIST					
WORK NO		WORK NAME		SCALE	Q'TY
				1/1	1
DRAWN	CHECKED	REVIEWED	APPROVED	DRAWING NO	
H.J		LEE	Y.K	EDSM10W01	
2020.09.14		2020.09.14	2020.09.14		
<b>DAESAN InoTEC INC</b>					

도면에 지시되지 않은 일반공차						
가공별	치수	3-6	6-30	30-120	120-315	315-1000
선	삭					
구멍간	거리	$\pm 0.1$	$\pm 0.2$	$\pm 0.3$	$\pm 0.5$	$\pm 0.8$

REV.NO	DATE	REVISION DESCRIPTION	DRAWN	CHECKED	APPROVED



NO	DESCRIPTION	MAT'L	Q'TY	WT(kg)	REMARKS

LIFT(M)	A	B	C
ø11.2x34			
6 - 14	650	400	280
15 - 25	800	400	280
26 - 40	1000	400	280
41 - 53	1200	400	280

SPECIFICATION		
HOISTING LOAD	10	TON
TESTING LOAD	12.5	TON
LIFTING HEIGHT	6~	M
HOISTING	SPEED	1.25-3.25 M/MIN
	MOTOR	3.5 KW x 2 SET
TRAVERSING	SPEED	5.2-15.2 M/MIN
	MOTOR	0.75 KW x 2 SET
POWER SUPPLY	AC 220,380,440.x3ø x 60 Hz	
OPERATING METHOD	P.B type ON . FL	
WEIGHT	714 KG	

- \* ROLLER DIA : ø140
- \* LIMIT SWITCH : OPTION
- \* 본 도면은 1-BEAM 125MM 기준임.

TITLE EDMS-10W CHAIN HOIST		PROJECTION	
WORK NO	WORK NAME		
		SCALE	Q'TY
		1/1	1

도면에 지시되지 않은 일반공차						
가공별	치수	3-6	6-30	30-120	120-315	315-1000
선	삭	±0.1	±0.2	±0.3	±0.5	±0.8
구멍간	거리	±0.1	±0.2	±0.3	±0.5	±0.8

DRAWN	CHECKED	REVIEWED	APPROVED	DRAWING NO
H.J	-	LEE	Y.K	EDSM10W02
2020.09.14	-	2020.09.14	2020.09.14	

REV.NO	DATE	REVISION DESCRIPTION	DRAWN	CHECKED	APPROVED

**DAESAN INoTEC INC**