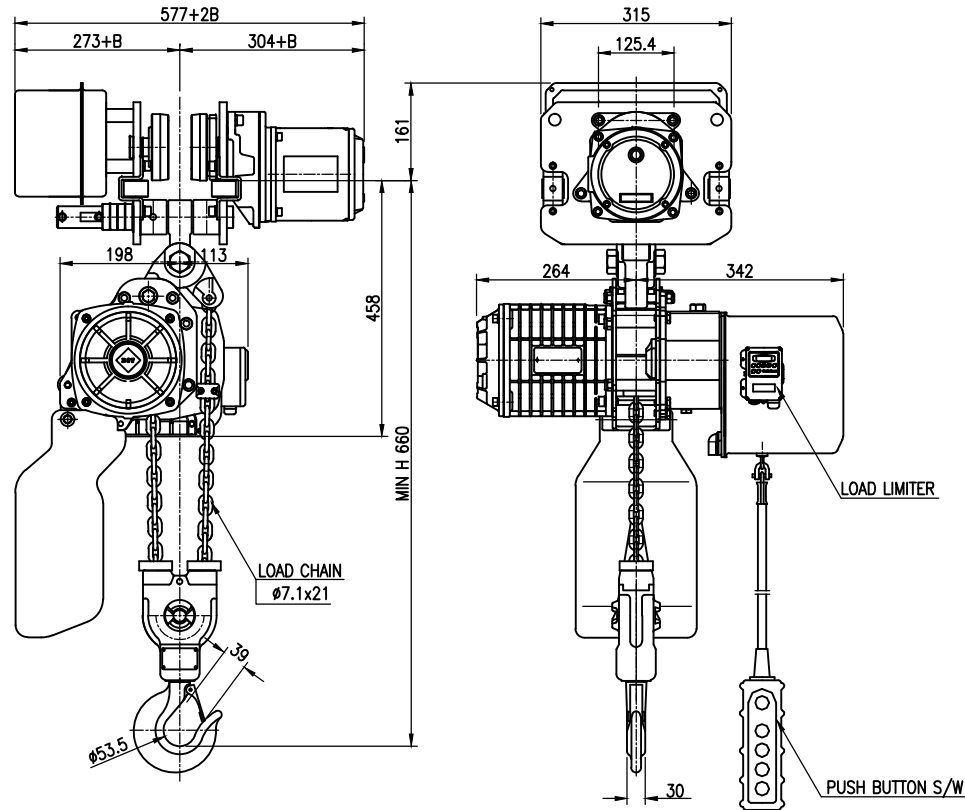


| NO | DESCRIPTION | MAT'L | Q'TY | WT(kg) | REMARKS |
|----|-------------|-------|------|--------|---------|
| | | | | | |



| SPECIFICATION | | |
|------------------|------------------------------|---------------------|
| HOISTING LOAD | 2 | TON |
| TESTING LOAD | 2.5 | TON |
| LIFTING HEIGHT | 4 | M |
| HOISTING | SPEED | 1-2.6 M/MIN |
| | MOTOR | 1.5 KW x 6P x 1 SET |
| TRAVERSING | SPEED | 9/11 M/MIN |
| | MOTOR | 0.2 KW x 8P x 1 SET |
| POWER SUPPLY | AC 220 x 1 ϕ x 50/60 Hz | |
| OPERATING METHOD | P.B type ON . FL | |
| WEIGHT | 122 KG | |
| I-BEAM SIZE | 100-150 MM | |

* B CALCULATION $B=1/2 \times (I \text{ BEAM WIDTH})$

* ROLLER DIA : $\phi 110$

* LIMIT SWITCH : OPTION

| TITLE EDSSM-2W CHAIN HOIST | | | | PROJECTION | |
|----------------------------|-----------|------------|------------|------------|------|
| WORK NO | WORK NAME | | | | |
| | | | | SCALE | Q'TY |
| | | | | 1/1 | 1 |
| DRAWN | CHECKED | REVIEWED | APPROVED | DRAWING NO | |
| YOO.M.R | - | LEE. H.J | Y.K | EDSSM2W01 | |
| 2013.08.29 | - | 2013.08.29 | 2013.08.29 | | |

| REV.NO | DATE | REVISION DESCRIPTION | DRAWN | CHECKED | APPROVED |
|--------|------|----------------------|-------|---------|----------|
| | | | | | |

DAESAN INoTEC INC